
XYZ

RLX555

RLX555 1.75M

CNC LATHE

GENERAL MANUAL



CE
ISO 9001

Manual NumberKKRDM4300 DateKJUN, 2019 REVKV4.0

The following documentations are provided by us.

- (1) Introduction manual
- (2) Parts list
- (3) Electrical document
- (4) Other document provided by OEM partners

WARNING !!!

Please read these documentations thoroughly before using the machine. An adequate training by the manufacturer or by OEM partner is required before starting to use these machines.

WARNING !!!

It is the customers responsibility to ensure the machine is installed in a safe operating position with all service pipes and cables clear of the operation area so as not to cause a hazard. Access must be allowed for safe maintenance, swarf and oil disposal including safe stacking of machine and unmachined components.

WARNING !!!

This machine is designed to cut common, metallic engineering materials (such as steel and aluminum). DO NOT use to cut special materials (such as composites) without agreement from XYZ Machine Tools. Any damage caused to the machine by processing such materials will not be covered by the warranty.

NOTE !!!

The recipient hereof agrees not to copy or distribute this document without the written consent.

MACHINE SPECIFICATIONS

MODE	SPECIFICATIONS	RLX555	RLX555 1.75M
SWING AND DISTANCE	Swing over bed	555 mm / 21.9"	
	Swing in gap	780 mm / 30.7"	
	Swing over cross slide	350 mm / 13.8 "	
	Distance between centers	1000 mm / 39.4"	1750 mm / 68.9"
SPINDLE	Spindle bored	104 mm / 4.09"	
	Spindle nose type	D1-11 camlock	
	Spindle taper	MT5 in bush	
	Spindle motor	15 hp / 11 kw 7.5 hp / 5.5 kw (OPT.) 10 hp / 7.5 kw (OPT.)	
SPINDLE SPEED	Low speed	30-375 rpm	
	High speed	140-1800 rpm	
CROSS SLIDE	Cross slide travel	280 mm / 11"	
BALLSCREW	X axis ballscrew diameter	Ø 25 mm	
	Z axis ballscrew diameter	Ø 40mm	
TAILSTOCK	Tailstock Quill diameter	75 mm / 3"	
	Tailstock Travel	200 mm / 7.9"	
	Tailstock - taper	MT5	
BED	Bed width	370 mm / 14.6"	
MACHINE DIMENSION	Footprint (LxDxH)	2620 x 1500 x 1920 mm	3480 x 1500 x 1920 mm
	Weight	3500 kg / 7700 lbs	4100kg / 9020 lbs

**** To keep improvement and developing new functions, the Specifications is subject to change without future notice.

STANDARD ACCESSORIES

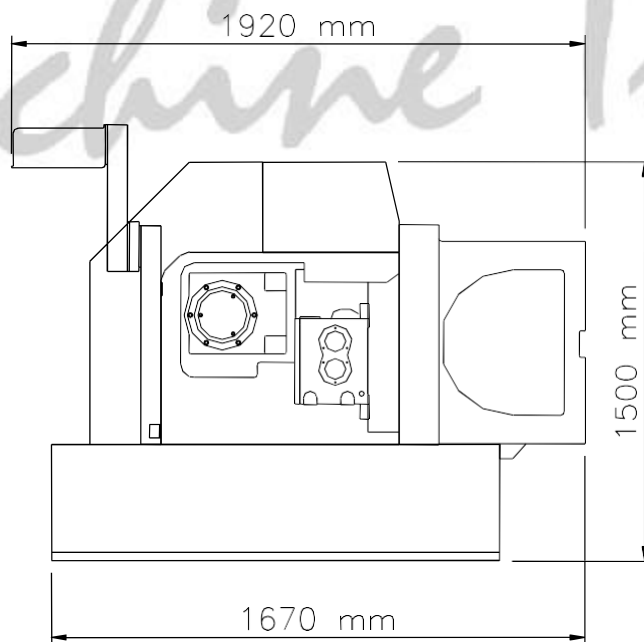
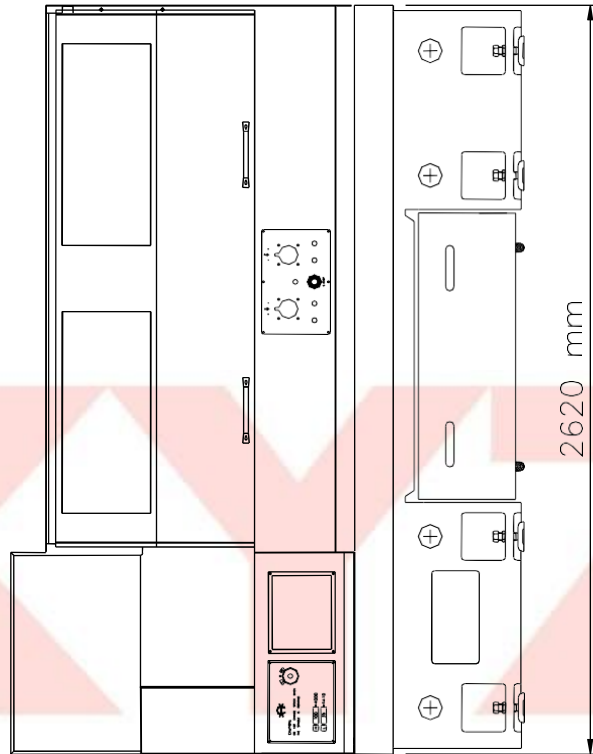
- ⌘ ADJUST LEVELING
- ⌘ AIR ASSISTED FLOATING TAILSTOCK SYSTEM
- ⌘ AUTOMATIC LUBRICATION SYSTEM
- ⌘ COOLANT SYSTEM
- ⌘ ELECTRONIC HANDWHEELS
- ⌘ ERGONOMICALLY MOUNTED OPERATOR CONTROL
- ⌘ HALF ENCLOSURE MACHINE GUARD
- ⌘ HIGH INTENSITY MACHINE LIGHT
- ⌘ WORKING LIGHT
- ⌘ MANUAL
- ⌘ SPINDLE CENTER
- ⌘ TAILSTOCK
- ⌘ TAILSTOCK CENTER
- ⌘ TOOL BOX
- ⌘ X AXIS AC SERVO MOTOR
- ⌘ X AXIS PRECISION BALLSCREW
- ⌘ Z AXIS AC SERVO MOTOR
- ⌘ Z AXIS PRECISION BALLSCREW

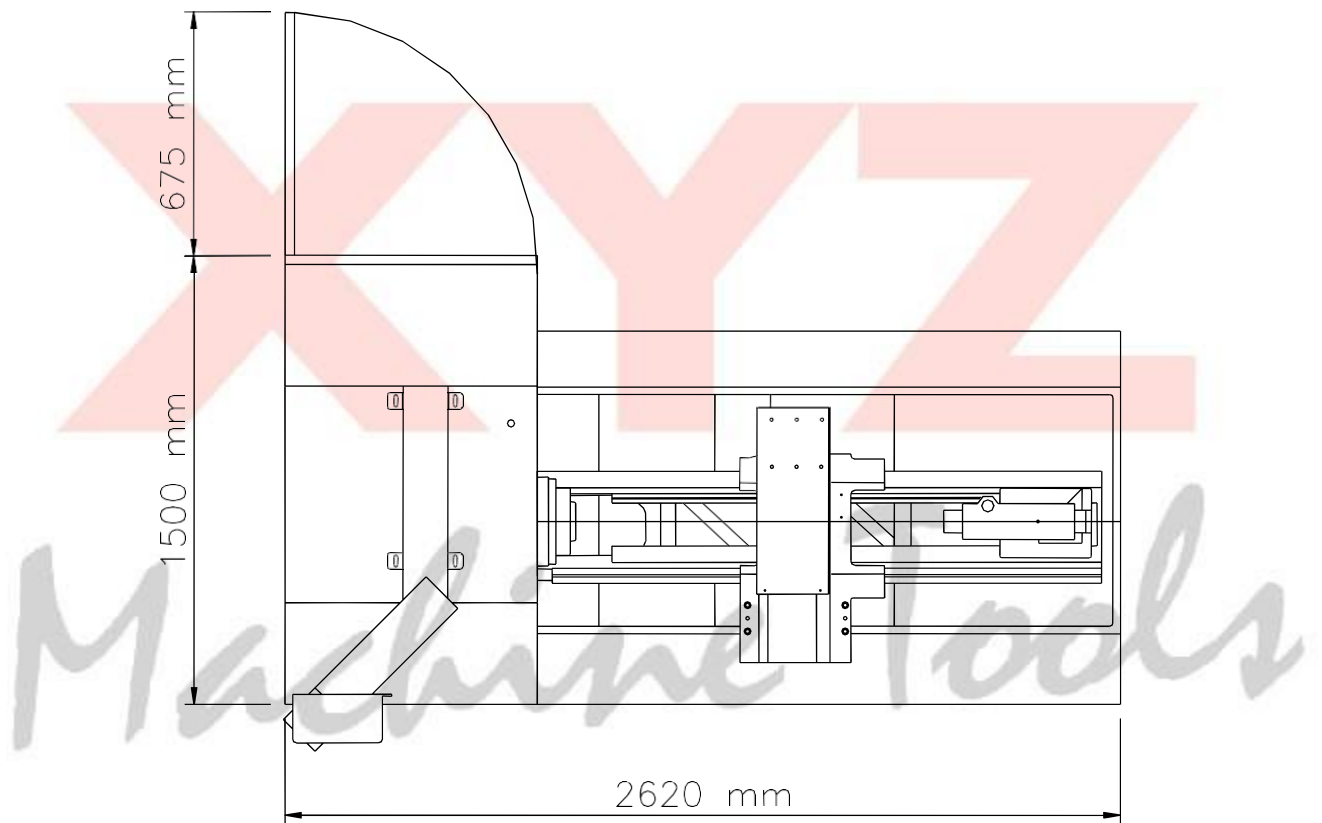
OPTIONAL ACCESSORIES

- ⌘ HYDRAULIC CHUCK
- ⌘ HYDRAULIC TAILSTOCK
- ⌘ 4 STATION INDEXING TOOLPOST
- ⌘ 8 STATION SERVO TURRET
- ⌘ OIL MIST COLLECTOR
- ⌘ OIL SKIMMER
- ⌘ FULL MACHINE GUARD
- ⌘ STATIONARY STEADY ASSEMBLY
- ⌘ TRAVELLING STEADY ASSEMBLY
- ⌘ AUTOMATIC CHANGE SPINDLE SPEED SYSTEM

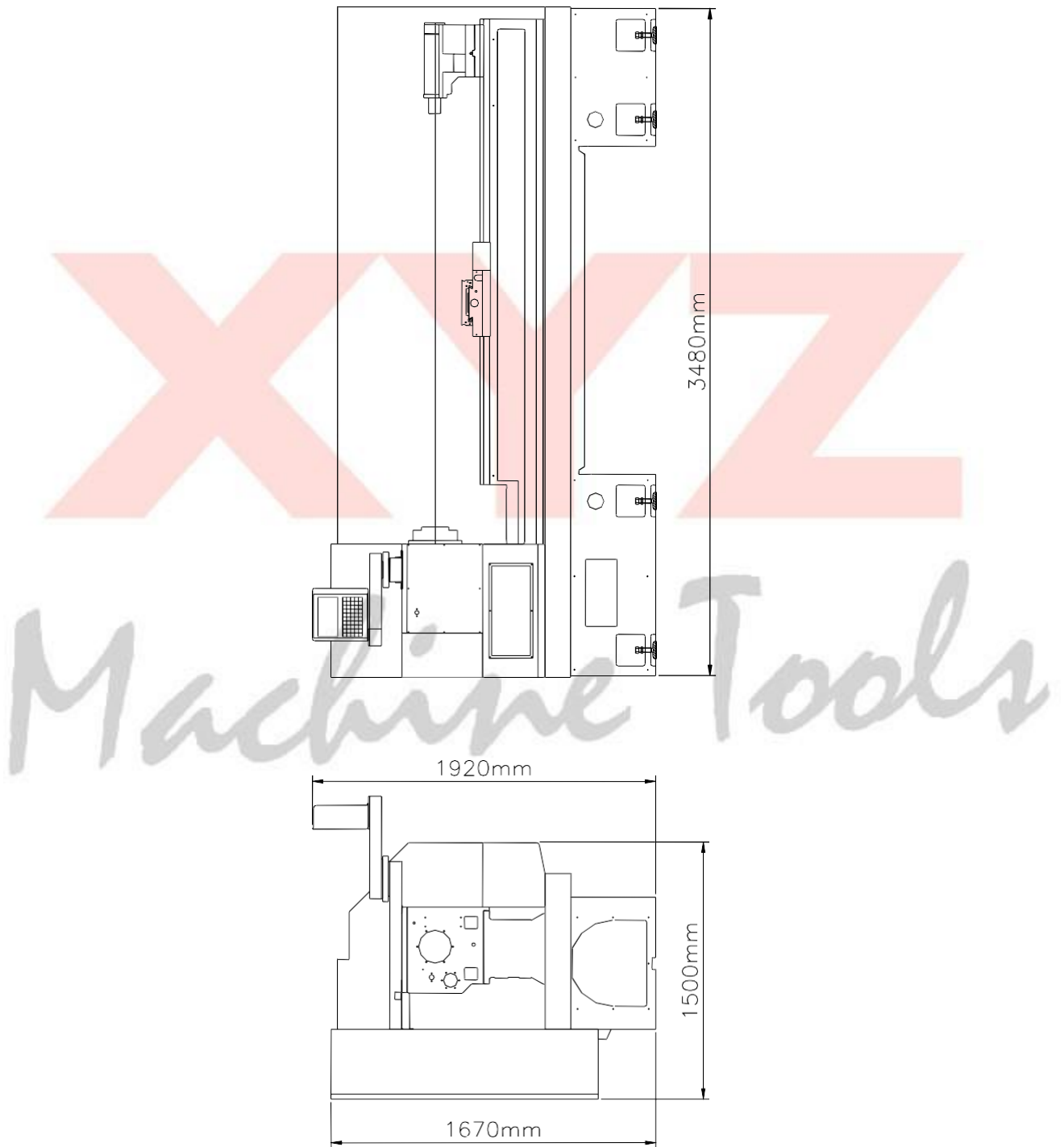
**** To keep improvement and developing new functions, the Specifications is subject to change without future notice.

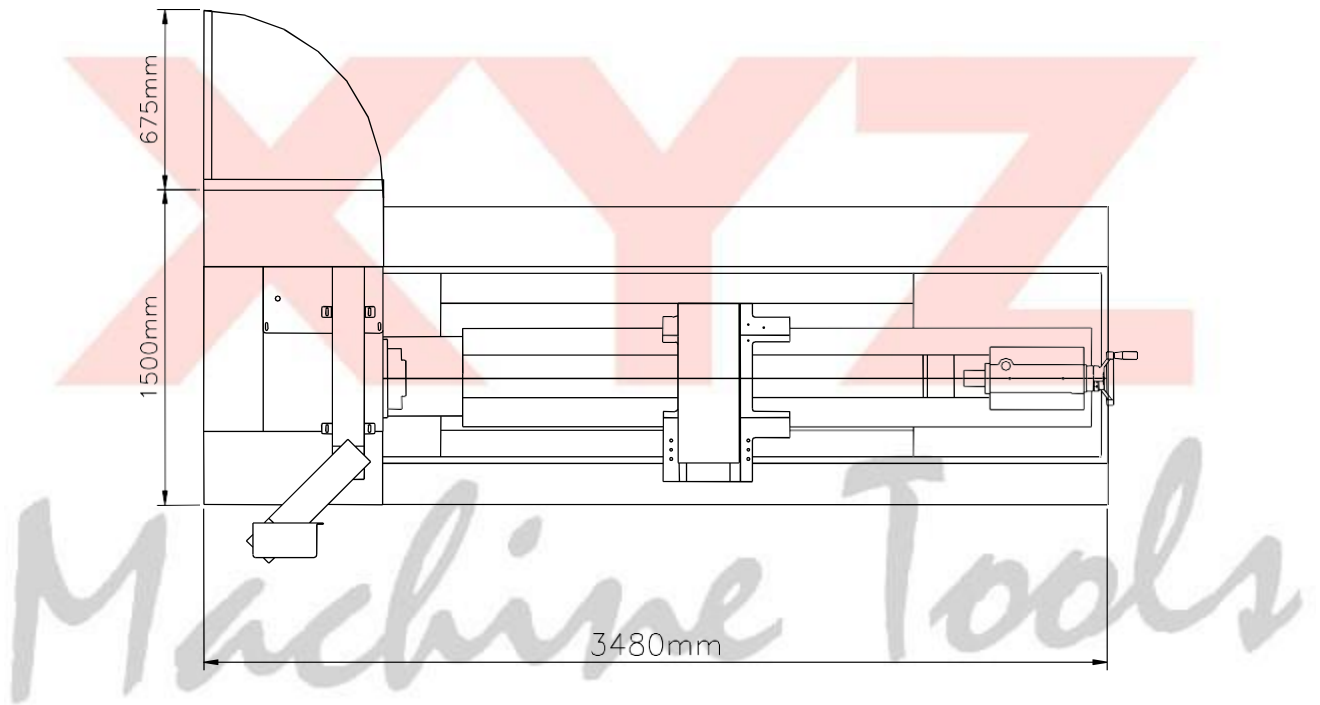
RLX555 DIMENSION (STANDARD)





RLX555 1.75M DIMENSION (STANDARD)





INTRODUCTION

This lathe is made up of bed base, headstock, saddle, cross slide, operation panel, hydraulic, lubrication system, chip collecting equipment, safety guards, CNC controllers, etc. This lathe is designed to machine those workpieces that do not generate power chip, corrosion or flammable substances, such as magnesium alloy. Please contact our local dealer or us if in doubt.

Because this machine can machine the workpiece in an automatic mode, the safety and efficiency of the working process could be increased tremendously. Nevertheless, read all the manuals we provided thoroughly. Do not try to use this lathe unless you understand how to operate and stop the machine and all the safety matters concerned. Details about how to operate this lathe are followed.



CONTENTS

CHAPTER 1 HEALTH AND SAFETY

1.1	OPERATOR SAFETY	CH1-2
1.2	HEALTH AND SAFETY AT WORK	CH1-2
1.3	NOISE LEVEL.....	CH1-3
1.4	OPERATING HAZARDS.....	CH1-3
1.5	VARIABLE SPEED DRIVE	CH1-4
1.6	POTENTIAL DANGER AREAS	CH1-4
1.7	MACHINE SAFETY GUARD	CH1-4
1.8	OPERATING SAFETY PRECAUTIONS.....	CH1-5
1.9	GENERAL PRINCIPLES CONCERNING OPERATOR SAFETY FOR ALL TURNING MACHINES	CH1-6
1.10	SAFE OPERATION OF LATHE CHUCKS	CH1-11
1.11	SIGNS.....	CH1-12

CHAPTER 2 SHIPPING AND HANDLING

2.1	SHIPPING AND HANDLING.....	CH2-2
2.2	LIFTING WITH THE MACHINE PACKED	CH2-4
2.3	TRANSPORTATION AND UNPACKING	CH2-7
2.4	STORAGE	CH2-8

CHAPTER 3 INSTALLATION

3.1	PREPARATION	CH3-2
3.2	INSTALLATION LOCATION	CH3-4
3.3	FOUNDATION CONSTRUCTION PLAN	CH3-5
3.4	ELECTRICAL EQUIPMENT INSTALLATION	CH3-7
3.5	LEVELING THE MACHINE	CH3-12
3.6	INSPECTION	CH3-13

CHAPTER 4 OPERATIONAL PROCEDURE

4.1	MACHINE	CH4-2
4.2	SAFETY EQUIPMENT	CH4-2
4.3	BEFORE START-UP	CH4-2
4.4	START AND STOP THE MACHINE	CH4-4
4.5	WARM-UP	CH4-5
4.6	PREPARATION	CH4-6
4.7	OPERATION	CH4-7
4.8	ZERO POINT RETURNING PROCEDURE	CH4-8
4.9	MANUAL OPERATION PROCEDURE	CH4-9
4.10	START OR STOP SPINDLE ROTATION	CH4-10
4.11	OPERATION	CH4-13
4.12	BREAK-UP	CH4-13
4.13	FINISH	CH4-13

4.14	INSPECTION AFTER FINISH	CH4-14
4.15	TURNED SURFACE FINISHES	CH4-15

CHAPTER 5 MECHANISM AND ADJUSTMENT

5.1	HEADSTOCK SYSTEM.....	CH5-2
5.2	FEED-MOTION TRANSMISSION MECHANISM.....	CH5-6
5.3	APRON	CH5-8
5.4	TOOLPOST MECHANISM.....	CH5-9
5.5	TAILSTOCK.....	CH5-10
5.6	THE FULL-ENCLOSED (OPTION).....	CH5-11
5.7	LUBRICATOR.....	CH5-12

CHAPTER 6

6.1	MECHANICAL ADJUSTMENT	CH6-2
6.2	TRANSMISSION'S BELT TENSION.....	CH6-3
6.3	GIB ADJUSTMENT.....	CH6-8
6.4	TAILSTOCK ADJUSTMENT	CH6-10
6.5	HEADSTOCK ADJUSTMENT.....	CH6-12
6.6	REMOVE/REFIT GAP PIECE.....	CH6-14

CHAPTER 7 MACHINE MAINTENANCE

7.1	PREPARATION BEFORE MAINTENANCE	CH7-2
7.2	LUBRICATION SYSTEM	CH7-2
7.3	LUBRICATION	CH7-3
7.4	THE MACHINE MAINTENANCE	CH7-5
7.5	PREVENTIVE MAINTENANCE	CH7-7
7.6	HOW TO ORDER REPLACEMENT PARTS	CH7-9

CHAPTER 8 FUNCTION

8.1	TROUBLE SHOOTING	CH8-2
8.2	ISO METRIC THREAD DATA	CH8-3

Machine Tools

CHAPTER 9 PARTS LIST

9.1	SPINDLE DRIVE ASSEMBLY	H01-1
9.2	SPEED SELECTOR ASSEMBLY	H02-1
9.3	CHUCK COVER ASSEMBLY	H03-1
9.4	ENCODER ASSEMBLY	H04-1
9.5	HEAD LUBRICATION ASSEMBLY	H05-1
9.6	BED ASSEMBLY	H06-1
9.7	SPINDLE MOTOR DRIVE ASSEMBLY	H07-1
9.8	SADDLE ASSEMBLY	H08-1
9.9	CROSS SLIDE ASSEMBLY	H09-1
9.10	TAILSTOCK ASSEMBLY	H10-1
9.11	X AXIS DRIVE ASSEMBLY	H11-1
9.12	Z AXIS DRIVE ASSEMBLY	H12-1
9.13	STATIONARY STEADY	H13-1
9.14	TRAVELLING STEADY	H14-1
9.15	GUARD ASSEMBLY	H15-1
9.16	PARTS GUIDE	1
9.17	ELETRICAL CABINET	2-3
9.18	MOTOR'S, CABLES & DRIVES	4-5
9.19	SWITCHES & BUTTONS	5-6
9.20	PUMPS	6
9.21	HANDWHEEL & JOGSTICK	6-7
9.22	PENDANT & MODULE	7

9.23 OTHER ELETRICAL PARTS.....	7-8
9.24 PNEUMATIC & COOLANT.....	9
9.25 MAINDOOR & WINDOWS	9-10
9.26 BELT'S	10
9.27 DRAGCHAIN & WIPERS	11
9.28 CHUCKS	11
9.29 STEADY OPTIONS.....	12
9.30 TOOL POST & HOLDERS	12
9.31 DRILLING ATTACHMENTS	13

XYZ

This page is intentionally left blank.

Machine Tools

CHAPTER 1

HEALTH AND SAFETY

PLEASE READ CAREFULLY BEFORE
OPERATION OF THIS MACHINE

1.1 OPERATOR SAFETY

This lathe is fast, powerful machines can be dangerous if used under improper circumstances.

Read the following Health and Safety Guidance Notes and observe before and during the use of the lathe.

Please read the following health and safety guidance notes and understand how to operate the machine before using the machine.

WARNING !!!

The machine is equipped with safety devices. Do not change any safety devices on this machine. If changes to these safety devices are made, the manufacturer and our OEM partner will not be responsible for any ensuing issues of product liability. This action will also invalidate any remaining warranty entitlement."

1.2 HEALTH AND SAFETY AT WORK

In accordance with the requirements of the Health and Safety at work, this manual contains the necessary information to ensure that the machine tool can be operated properly and with safety. It is assumed that the operator has been properly trained, has the requisite skill and is authorized to operate the machine, or, if undergoing training, is under the close supervision of a skilled and authorized person.

Attentions are drawn to the importance of compliance with the various statutory regulations, which may be applicable, such as "The Protection of Eyes Regulations". It is further stressed that good established workshop practice is essential.

Adequate information is also provided to enable the machine to be properly serviced and maintained by persons with the necessary skills and authority.

1.3 NOISE LEVEL

The noise level of this machine is within 90dB(A). In real life, the noise level can be higher than 90dB(A) because actual working conditions might be different.

The conditions of measurement are with the spindle running at top speed, with a standard chuck fitted and without feed engagement.

WARNING !!!

Do not stay in the working area with an unpleasant noise level without wearing appropriate protective equipment, such as the earplug. Otherwise this might cause hearing pain or more serious problems.

1.4 OPERATING HAZARDS

When using the machine be fully aware of the following operating hazards.

1.4.1 METAL CUTTING FLUIDS

Cancer of the skin may result from continuous contact with oil; Particularly with straight cutting oils, but also with soluble oils. The following precautions should be taken K

1. Avoid unnecessary contact with oil.
2. Wear protective clothing.
3. Use protective shields and guards.
4. Do not wear oil soaked or contaminated clothing.
5. After work, thoroughly wash all parts of the body that have come into contact with oils.
6. Avoid mixing different types of oils.
7. Change oils regularly.
8. Dispose of oils correctly.

1.5 VARIABLE SPEED DRIVE

Note that these machines are designed to allow fast and easy change of the spindle speed. Take care to ensure that the workpiece is secure and the maximum safe speed for any operation are not exceeded.

1.6 POTENTIAL DANGER AREAS

Keep away from those areas having moving or rotating machine parts. Do not touch or reach over moving or rotating objects. Although the moving or rotating parts are designed to be shielded by guarding doors or covers, however, they still might cause a serious accident if not used properly. Fully understand all the safety procedures before starting to use the machine. Beware of potential dangerous area and warning and dangerous awareness to avoid any injury and accident.

1.7 MACHINE SAFETY GUARD

The machine is equipped with half-enclosed sheet metal guard and chuck guard. These guards are interlocked through the machine logic in such a way that the machine conforms to all Health and Safety requirements necessary for CE marking.

WARNING !!!

The machine is equipped with safety devices. Do not change any safety devices on this machine. If changes to these safety devices are made, the manufacturer and our OEM partner will not be responsible for any ensuing issues of product liability. This action will also invalidate any remaining warranty entitlement.”

1.8 OPERATING SAFETY PRECAUTIONS

1. Never use the machine without adequate lighting or if the machine light is broken.
2. The floor could become slippery because of the spilt water or oil and cause accident. Ensure the floor is clean, dry and orderly.
3. Keep the machine and work area neat, clean and orderly.
4. Always provide an ample working space.
5. Keep all guards and cover plates in place and all machine cabinet doors closed.
6. Never lay anything on the working surfaces of the machine, where it may be fouled with rotating or moving parts.
7. Do not touch or reach over moving or rotating machine parts.
8. Do not touch any switch without care.
9. Ensure you know the function of the switch and how to use it before using it.
10. Do not operate the machine in excess of its rated capacity.
11. Stop the machine immediately if anything unexpected happens.
12. Ensure that you know how to stop the machine before starting it.
13. Eye protection must be worn by the operator and all exposed persons operating this machine. Do not rely on the door guard for ultimate protection.
14. Beware to reset the coordinates after you take over the machine unless it is not necessary due to common coordinates when several people share the machine operation.
15. Isolate machine when leaving it unattended.

1.9 GENERAL PRINCIPLES CONCERNING OPERATOR SAFETY FOR ALL TURNING MACHINES

1. Do not allow turning or hand tools to be caught in the chuck or other holding device.
2. Always support the workpiece as necessary- using chucks, steadies and centers.
3. Correctly locate tool in socket heads and screw slots.
4. Beware of obstructions that prevent complete tightening of screws- ensure screw is tight.
5. Do not move guards while the lathe is under power.
6. Beware of accidentally moving levers, clutches (where applicable) or turning the power on.
7. Never place hand on chuck or workpiece to stop rotation of the spindle.
8. On machines with a clutch drive, make sure clutch is completely disengaged on topping, and kept properly adjusted.
9. Allow chuck to stop before operating it.
10. Always check the chuck area for chuck keys and loose items.
11. Never start spindle with chuck key in the chuck.
12. Do not allow distractions to interfere with lathe operations. Do not operate lathe whilst talking.
13. Always attend filing and deburring operations.
14. Always pay attention to file and deburring tools close to the chuck. File and deburring tools may catch on chuck.
15. Beware of clutch (where applicable) position when jogging the spindle to different positions for gauging.
16. Beware of hands resting on clutch levers.
17. Be sure lathe is in neutral position when placing gauges on components gripped in the chuck.

18. Beware of material flying from the lathes.
19. Do not wear rings, watches, ties or loose sleeved clothing.
20. Always use the recommended or equivalent hydraulic oil, lubricant oil and grease.
21. The working table adjacent to the machine should be secured to prevent the workpiece room falling onto the machine.
22. Ensure the machine is stopped and the power is off before replacing the fuse.
23. Always use the fuse with the same specification for replacement.
24. Do not use other workholding devices without checking for compatibility with this lathe.
25. Do not touch the switch with wet hands that could result in electric shock.
26. Do not touch the electric equipment and operating panel with wet hands, this could result in electric shock.
27. Do not grip a component with grease or oil on it.
 - (a) Grip all components firmly.
 - (b) Do not attempt to hold components that are too awkward or too difficult to hold.
 - (c) Do not hold components that are too heavy for the machine.
 - (d) Know how to hold components properly when lifting.
28. Be sure to clean oil or grease from hand tools, levers and handles.
29. Be sure there is enough texture on the surface of the hand tool or lever handle for proper safe hand contact.
30. Grip hand tools and lever handles firmly.
 - (a) Always choose the proper hand tool and appropriate grip position on the lever handle.
 - (b) Do not use hand tools or lever handles in an awkward position.
 - (c) Do not apply excessive force.
31. Always use the recommended gripping position to grasp hand tools and lever handles.
32. Do not use broken, chipped or defective tools.
33. Be sure that the workpiece is immobile in vice or other holding device.
34. Beware of irregular shaped workpieces.

35. Beware of large burrs on workpieces.
36. Always select the correct tool for the job.
37. Do not run the lathe unattended.
38. Do not use tools without handles.
39. Always support the workpiece as necessary-using vice.
40. Do not rush work.
41. Never substitute for the wrong size tools if the correct sized tool is not available or cannot be located in the shop.
42. Do not move guards while the lathe is under power.
43. Do not place hand or body in path of moving objects.
 - (a) Beware of moving machine parts that can fall.
 - (b) Be aware of where you are moving your hand or body in relationship to the lathe.
 - (c) Be aware of hands or other parts of the body that may be in position to be hit by a spindle or workpiece.
44. Know the function of each and every control.
45. Never place hand on spindle or workpiece.
46. Make sure power has been turned off when lathe is unused for some time.
47. Never start spindle with tool key in the tool.
48. Do not allow distractions to interfere with the lathe operations.
49. Do not operate the lathe while talking.
50. Beware of lathe dangers when attending to other aspects of lathe operation.
E.g. while operating tailstock.
51. Beware of loose clothing near the rotating parts of the lathe.
52. Beware of loose hair near the rotating parts of the lathe.
53. Beware of performing another operation while in close proximity to the rotating parts of the lathe.

54. Be sure spindle is not running when using gauges on the lathe.
55. Always wear protection before operating the lathe.
 - (a) Never remove protection for even a short time when operating the lathe.
 - (b) Wear protective devices correctly.
 - (c) Know the correct way to wear protective devices.
56. Beware of material and tool flying from the lathe.
57. Beware of where you leave tools during set up.
58. Keep protective guards at the point of operation.
 - (a) Know how to set or attach protective guards properly.
 - (b) Never use the wrong protective guard.
 - (c) Know how to select the proper guards.
59. When the spindle and workpiece are in motion, never reach over under or around a workpiece to make an adjustment.
60. Never reach over, under or around a workpiece to retrieve anything.
61. Never reach over, under or around the workpiece to tighten a machine part.
62. Never reach over, under or around a workpiece to move hand tool to another position.
63. Never reach over, under or around a workpiece to remove swarf.
64. Know the proper procedure for applying loads. Never apply force from an awkward position.
65. Never mount a workpiece too large for the lathe.
66. Never mount a workpiece too large for the operator to handle.
67. Use the equipment necessary for handling workpieces.
68. Never apply undue force on the accessory or control lever.
69. Secure all workpieces.
70. Secure all jaws, nuts, bolts and blocks.
71. Always use the correct equipment.
72. Never take cuts beyond the lathe's capability.

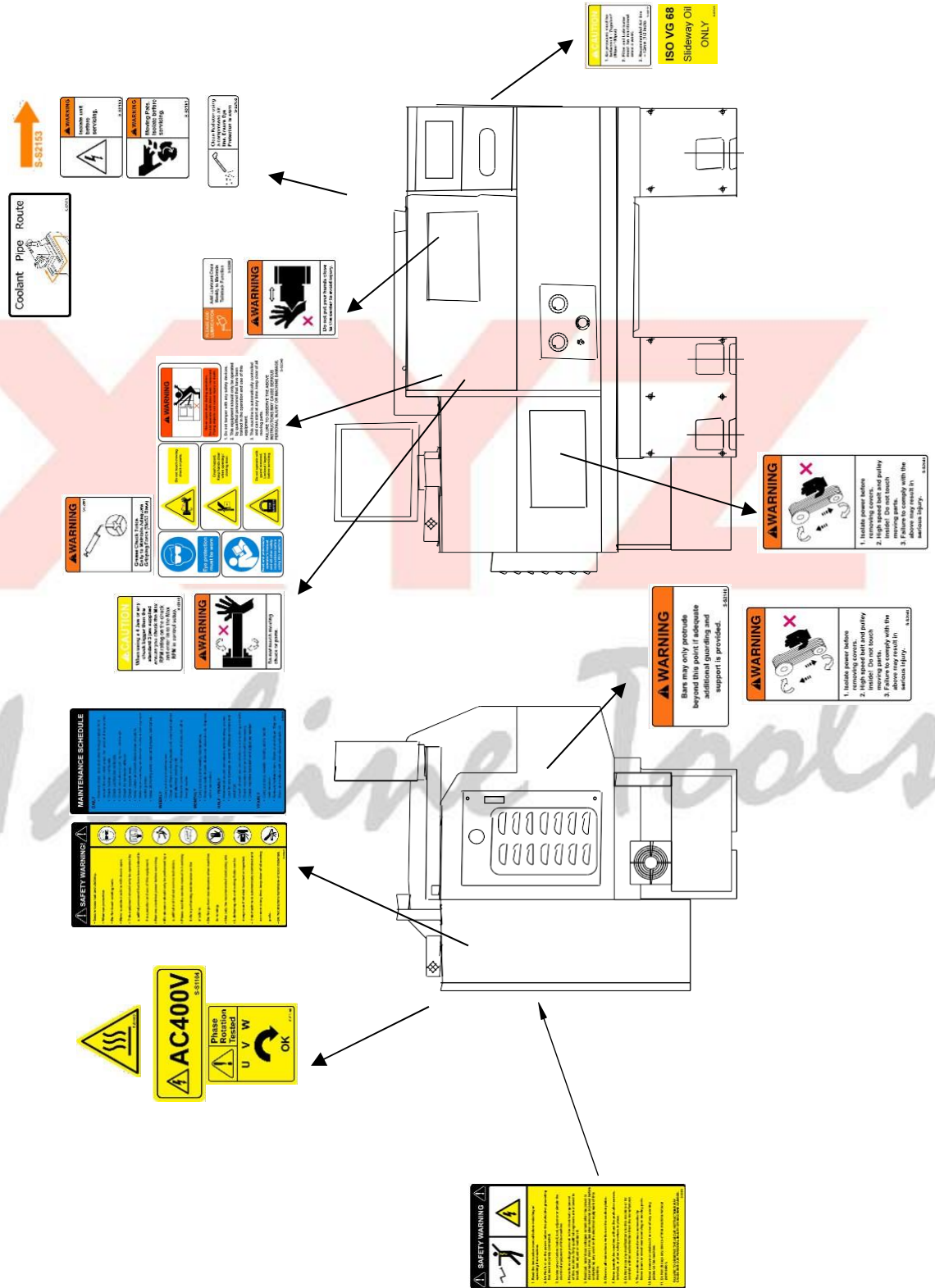
73. Never use excessive forces in polishing, filing.
74. Always use the proper hand tool to remove swarf.
 - (a) Never hurry to remove swarf.
 - (b) Beware of swarf wrapped around the spindle or workpiece.
75. Beware of tools/lathe parts falling on controls.
76. Do not change the original setting parameters unless it is necessary. Always keep records of the original setting values before change.
77. Do not blur, block or take away any however according to set-back afterward plate and sign for warning. Please contact us or our local dealer or distributor to purchase a new plates or signs.
78. Disconnect the circuit breaker of the main power immediately if the power supply is short or unsteady.
79. Never change gears by moving them with your hands.
80. When the chuck and workpiece are in motion, never reach over under or around a workpiece to make an adjustment.
 - (a) Never reach over, under or around a workpiece to retrieve anything.
 - (b) Beware of where you leave tools during set up.
 - (c) Never reach over, under or around a workpiece to move hand tool/lathe to another position.
 - (d) Never reach over, under or around the workpiece to tighten a lathe part.
 - (e) Never reach over, under or around a workpiece to remove swarf.





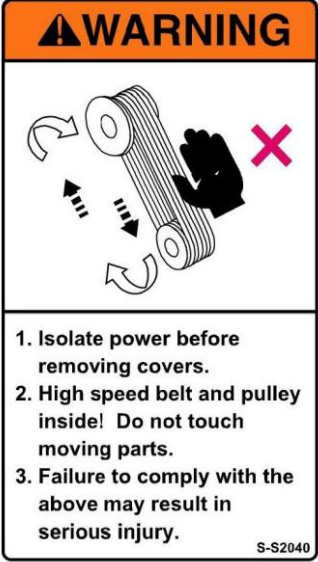
1.10 SAFE OPERATION OF LATHE CHUCKS



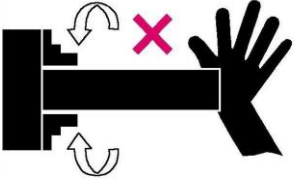
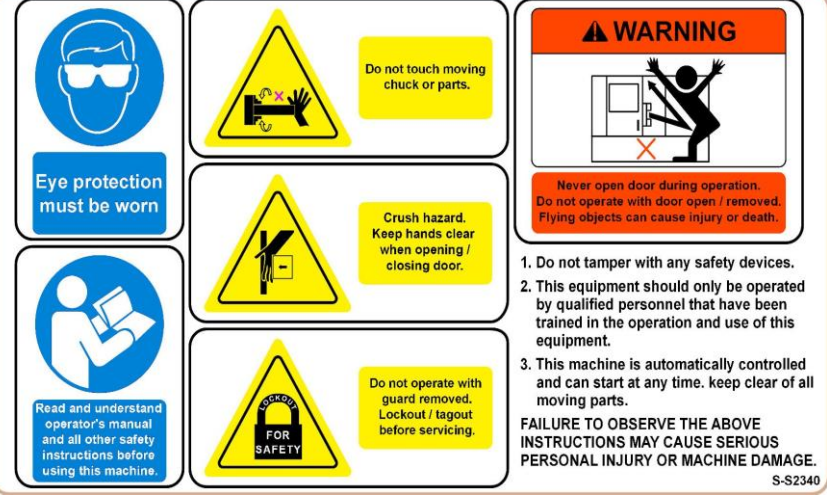






Where details of operating speeds and of maximum recommended operating speeds are supplied these are intended only as a guide. Such details must be regarded as for general guidance only for the following reasons K





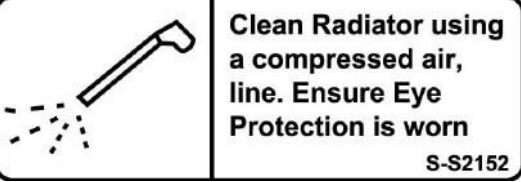

1. They apply only to chucks in sound condition.
2. If a chuck has sustained damage, high speeds may be dangerous. This applies particularly to chucks with gray cast iron bodies wherein fractures may occur.
3. The gripping power required for any given application is not known in advance.
4. The actual gripping power being used for any given application is not known by the chuck manufacturer.
5. There is the possibility of the workpiece becoming insecurely gripped due to the influence of centrifugal force under certain conditions.
6. The factors involved include:
 - (a) Too high a speed for a particular application.
 - (b) Weight and type of gripping jaws if non-standard.
 - (c) Radius at which gripping jaws are operating.
 - (d) Condition of chuck- inadequate lubrication.
 - (e) State of balance.
 - (f) The gripping force applied to the workpiece in the static condition.
 - (g) Magnitude of the cutting forces involved.
 - (h) Whether the workpiece is gripping externally or internally.
7. Careful attention must be paid to these factors. As they vary with each particular application, the manufacturer cannot provide specific figures for general use; the factors involved being outside his control.

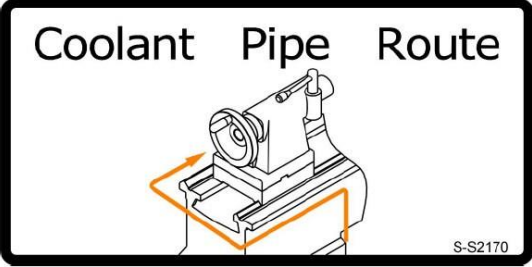

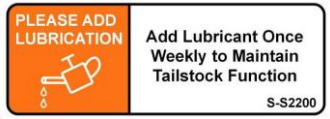
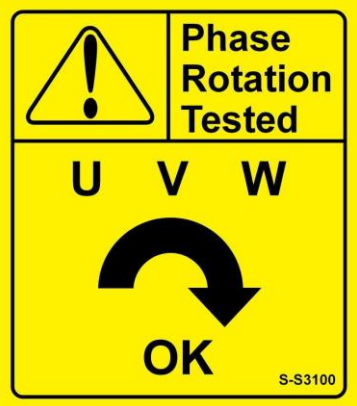
1.11 SIGNS



<p>S-S1104</p> <p>AC400V Yellow Sticker</p>	 <p>A yellow rectangular sticker with a black lightning bolt symbol in a triangle on the left, the text "AC400V" in large bold letters in the center, and "S-S1104" in small letters at the bottom right.</p>
<p>S-S1112</p> <p>High Temperature Warning</p>	 <p>A yellow triangular warning sign with a black border. Inside the triangle are three wavy vertical lines representing heat. The text "S-S1112" is at the bottom.</p>
<p>S-S1123</p> <p>ISO 68 Slideway OIL</p>	 <p>A yellow rectangular sticker with the text "ISO VG 68" in large bold letters, "Slideway Oil" below it, and "ONLY" in large bold letters at the bottom. "S-S1123" is in small letters at the bottom right.</p>
<p>S-S2030</p> <p>Quill Out Warning</p>	 <p>A rectangular warning sticker with an orange header containing a triangle and the word "WARNING". Below the header is an illustration of a hand being pulled away from a machine part with a double-headed arrow indicating distance. A pink 'X' is over the hand. Below the illustration is the text: "Do not put your hands close to the center to avoid injury." "S-S2030" is at the bottom right.</p>
<p>S-S2040</p> <p>Belt Warning</p>	 <p>A rectangular warning sticker with an orange header containing a triangle and the word "WARNING". Below the header is an illustration of a hand reaching towards a rotating belt and pulley system. A pink 'X' is over the hand. Below the illustration is a list of instructions: "1. Isolate power before removing covers.", "2. High speed belt and pulley inside! Do not touch moving parts.", "3. Failure to comply with the above may result in serious injury." "S-S2040" is at the bottom right.</p>

<p>S-S2050</p> <p>Air Rotation Tested</p>	 <p>▲ CAUTION</p> <ol style="list-style-type: none"> 1. Air pressure must be between 6 - 7kgs/cm² (85psi-100psi). 2. Filter and Lubricator must be maintained once a week. 3. Recommended Air line - 12mm (1/2 inch). <p>S-S2050</p>
<p>S-S2060</p> <p>Spindle Running Warning</p>	 <p>▲ WARNING</p>  <p>Do not touch moving chuck or parts.</p>
<p>S-S2340</p> <p>RLX Safety F Warning</p>	 <div style="display: flex; flex-wrap: wrap;"> <div style="width: 33%; border: 1px solid black; padding: 5px; margin-bottom: 5px;">  <p>Eye protection must be worn</p> </div> <div style="width: 33%; border: 1px solid black; padding: 5px; margin-bottom: 5px;">  <p>Do not touch moving chuck or parts.</p> </div> <div style="width: 33%; border: 1px solid black; padding: 5px; margin-bottom: 5px;">  <p>Read and understand operator's manual and all other safety instructions before using this machine.</p> </div> <div style="width: 33%; border: 1px solid black; padding: 5px; margin-bottom: 5px;">  <p>Crush hazard. Keep hands clear when opening / closing door.</p> </div> <div style="width: 33%; border: 1px solid black; padding: 5px; margin-bottom: 5px;">  <p>Do not operate with guard removed. Lockout / tagout before servicing.</p> </div> <div style="width: 33%; border: 1px solid black; padding: 5px;"> <p>▲ WARNING</p>  <p>Never open door during operation. Do not operate with door open / removed. Flying objects can cause injury or death.</p> <ol style="list-style-type: none"> 1. Do not tamper with any safety devices. 2. This equipment should only be operated by qualified personnel that have been trained in the operation and use of this equipment. 3. This machine is automatically controlled and can start at any time. Keep clear of all moving parts. <p>FAILURE TO OBSERVE THE ABOVE INSTRUCTIONS MAY CAUSE SERIOUS PERSONAL INJURY OR MACHINE DAMAGE.</p> <p>S-S2340</p> </div> </div>

<p>S-S2091</p> <p>Grease Maintain Warning</p>	
<p>S-S2140</p> <p>Bar Warning</p>	
<p>S-S2150</p> <p>Radiator Sticker A</p>	
<p>S-S2151</p> <p>Radiator Sticker B</p>	
<p>S-S2152</p> <p>Radiator Sticker C</p>	
<p>S-S2153</p> <p>Radiator Sticker D</p>	

<p>S-S2170</p> <p>Coolant Pipe Route</p>	
<p>S-S2190</p> <p>Chuck Caution</p>	
<p>S-S2200</p> <p>Lubricant To Tailstock</p>	
<p>S-S 3100</p> <p>Phase Rotation Tested</p>	

S-S3030

Maintenance Schedule

MAINTENANCE SCHEDULE**DAILY**

- Remove chips, dust and other foreign matter from around the axis slide ways, tool post and way covers.
- Check hydraulic oil levels.
- Check Lubrication oil levels.
- Check lubrication is getting to all slideways.
- Check Air lubricator oil level.
- Check coolant level.
- Keep collets and tool holders clean of debris.
- Make sure clamping mechanism is clean and in proper working order.
- Keep all moving parts clean and properly lubricated.

WEEKLY

- Carry out daily maintenance.
- Clean air filters on the hydraulic unit, electrical cabinet and electrical cooling unit.
- Remove covers and clean area of chips and other foreign matter.

MONTHLY

- Carry out daily and weekly maintenance.
- Remove coolant tank, drain and clean inside. Replace with new coolant.

HALF - YEARLY

- Remove all covers and clean under slideway covers.
- Look for any damage or wear to slideway covers and electrical.
- Check all switches and interlocks are working correctly.
- Check machine level and re-level if necessary.
- Check machine backlash and adjust as needed.

YEARLY

- Carry out daily, weekly, monthly and 6 month maintenance.
- Remove hydraulic tank. Drain oil and clean. Replace filters and replace with new clean hydraulic oil.

S-S3030

S-S3040

Safety Warning





SAFETY WARNING!

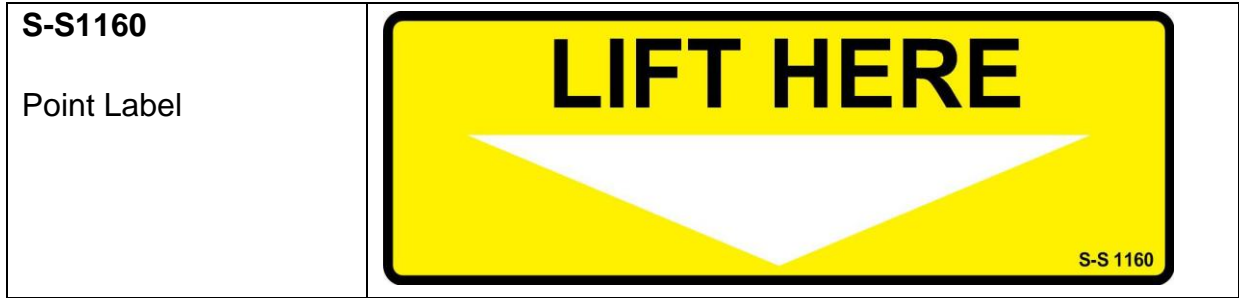
- Secure loose hair and clothing.
- Wear eye protection.
- Do Not touch rotating tools.
- Never operate machine with doors open.
- This equipment should only be operated by qualified personnel that have been trained in the operation and use of this equipment.
- Remove electrical power before servicing.
- Maintenance should only be performed by a qualified and trained service technician.
- Please read the service manual in it entirety before performing maintenance on the machine.
- Do Not perform maintenance when machine is running.
- Use only the recommended lubricating oils.
- Lubricating oils and cutting fluids can be dangerous if inhaled, touched or ingested.
- This machine is automatically controlled and can start at any time. keep clear of all moving parts.
- Do Not machine flammable or toxic materials.

S-S3040

S-S3051

Safety Precautions

 SAFETY WARNING 	
	
<ol style="list-style-type: none">1. Read the instruction manual before installing or operating the machine.2. Do Not turn on the power before the protective grounding has been securely connected.3. Isolate power before install, test, adjust or maintain the electrical equipment of this machine.4. Hazardous voltage present in the electrical equipment of this machine. Only qualified engineers are allowed to install, test, adjust or maintain it.5. Residual, hazardous voltages remain after the power is disconnected. Wait 5 minutes after removal of power before undertaking any work on the electrical equipment of this machine.6. Observe all instructions written on the caution plates.7. Never operate the machine without the protective covers, interlock, or other safety devices in place.8. Do Not make any modifications to this machine or its controls without authorisation from the manufacturer.9. The machine starts and moves automatically. Never touch or stand near revolving or moving parts.10. Never remove or obstruct the view of any warning plates on the machine.11. Do Not change any device of this machine without permission.	
<p>FAILURE TO OBSERVE THE ABOVE INSTRUCTIONS MAY CAUSE SERIOUS PERSONAL INJURY OR MACHINE DAMAGE.</p> <p>S-S3051</p>	



NOTE!!!

On the RLX555 / RLX555 1.75M machine there are shipping brackets the hold the axes in place during shipping. These brackets must be removed before operating the machine. Do not discard the shipping brackets. The shipping brackets must be replaced if the machine is ever moved.



CHAPTER 2

SHIPPING AND HANDLING

PLEASE READ CAREFULLY BEFORE SHIPPING

AND HANDLING OF THIS LATHE

2.1 SHIPPING AND HANDLING

This lathe is composed of bed base, headstock, saddle, cross slide, operation panel, hydraulic, lubrication system, chip collecting equipment, safety guards, CNC controllers, etc. Those components are connected with electrical cables and or pneumatic piping circuit.

During transportation, the lathe body and coolant tank are packed together. The shipping and handling equipment used should be able to lift a gross weight of 7 tons at least. Due to sizes of the lathe, it is recommended to lift this lathe with crane and use only the sling frame provided by us. Read the following section carefully before handling the package.

2.1.1 DANGERS

Ensure the shipping and handling equipment can handle a gross weight of 7 tons at least. If can't make certain of the load capacity of the handling equipment, please contact with the manufacture which provide the handling equipment, be ensure the load capacity. **Don't try to do handling under unknown the load capacity of the handling equipment otherwise might happen accident that damaged handling equipment and machine, even person injury.**

Use only the sling frame provided by us to lift this lathe. Uses of any other sling frame are prohibited because might happen accident that damaged handling equipment and machine even person injury. Ensure the wire ropes can withstand at least a gross weight of 7 tons if they are used with the lifting equipment to lift the machinery package.

2.1.2 WARNINGS

1. Ensure the lifted machinery package is balanced before starting to move it.
2. Abrupt changes in lifting & lowering speed might cause unexpected damage on the machinery package and are therefore prohibited.
3. No people or vehicle is allowed to stay under the lifted package.
4. Make sure nobody is around the working area before starting to lift the package. Clinging onto the sling frame or wire ropes by any person is very dangerous and is definitely prohibited.

2.1.3 NOTICES

1. Check if there is any people or blockage around the working area before starting to lift the package. Blockage should be removed and people be told to leave before proceed.
2. Do not stop the lifting motions suddenly during the process. Prevent sudden movement of the machine, too quick and the machine could become unbalanced. This might result in a serious accident that causes the machine to drop.
3. Only qualified people are allowed to operate the lifting equipment to handle this machinery package so that prevent accident happen.

NOTE!!!

The packing is subject to change without prior notice.

XYZ
Machine Tools

2.2 LIFTING WITH THE MACHINE PACKED

2.2.1 SAFETY RULES FOR MACHINE LIFTING

The following safety rules must be absolutely followed when lifting and/or moving the lathe:

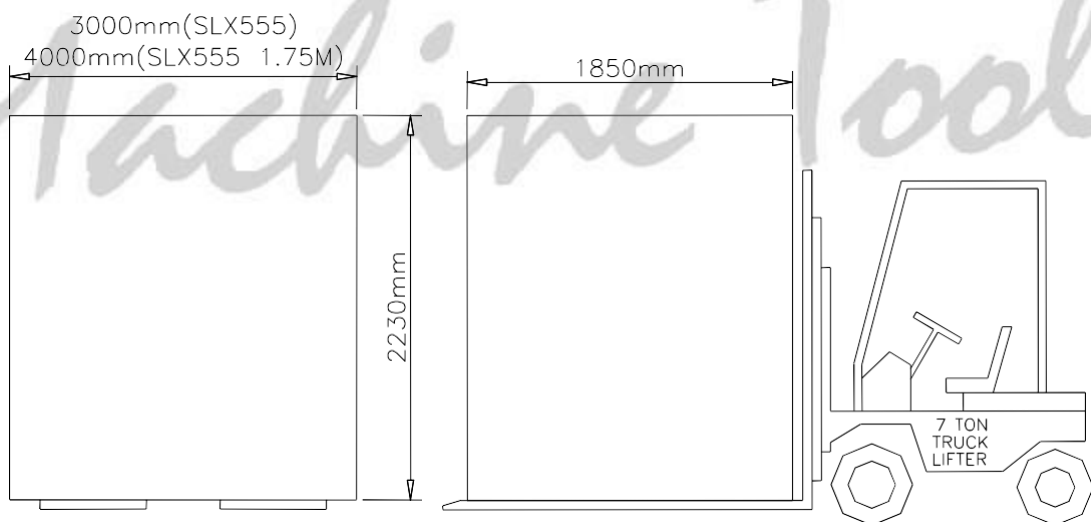
1. Use a forklift of sufficient capacity to raise or move the lathe.
2. Pay special attention to lathe balance while lifting.
3. Have another person to help guide the way while lifting the lathe.
4. Make sure the forks of the forklift protrude past the far edge of the lathe bottom.
5. Do not raise the lathe too high as this may cause a loss of stability.
6. The forklift should be driven by experience personnel.

Machine Tools

2.2.2 USING FORK-LIFTING TRUCK

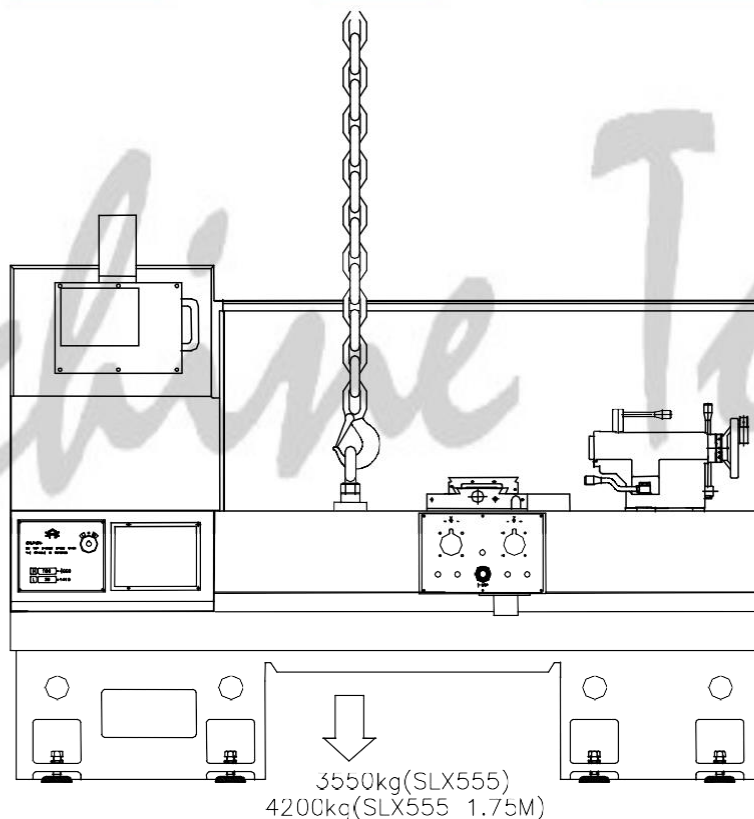
The lathe should be lifted and moved by a forklift. Attention should be paid to the machine balance during lifting and moving. This lathe should be lifted under the followingK

1. The loading capacity of the lifting equipment should be 7 tons at least.
2. Wire cables and chains of the lifting equipment should be able to bear a load of 7 tons at least.
3. The packed RLX555 lathe is 3000 mm in length, 1850 mm in width and 2230 mm in height. The packed RLX555 1.75M lathe is 4000 mm in length, 1850 mm in width and 2230 mm in height. Ensure nobody is in the way and the path is not blocked before moving the packed lathe. It could prevent the lathe from collision.
4. Beware that the lifting truck might overturn because of an improper lifting height. This might cause people injury and damage the lathe.
5. Always assign a person to guide the way to ensure safety.



2.2.3 SING CRANE OR OTHER LIFTING EQUIPMENT

1. The loading capacity of the lifting equipment should be 7 tons at least. The loading capacity below 7 tons is prohibited.
2. Wire cables and chains of the lifting equipment should be able to bear a load of 7 tons at least.
3. Use only the sling frame provided to lift the lathe. Other fixture or rope are prohibited.
4. The RLX555 lathe is 2620 mm in length, 1420 mm in width and 1920 mm in height and RLX555 1.75M lathe is 3480 mm in length, 1420 mm in width and 1920 mm in height. Ensure nobody is in the way and the path is clear before commencing to move the lathe. Otherwise this might cause a collision with the lathe.
5. Beware that the lifting truck might overturn because of an improper lifting height. This might cause people injury and damage the lathe.
6. Always assign a person to guide the way to ensure safety.



2.3 TRANSPORTATION AND UNPACKING

2.3.1 TRANSPORTATION

1. Ensure to fasten all the loose parts firmly during transportation.
2. Ensure to fix the lathe firmly inside the crate to prevent the lathe move from falling.
3. Ensure to enclose the lathe with a waterproof cover to keep this lathe from moisture or corrosive substance. It prevents the mechanical and electrical parts from damage.

2.3.2 UNPACKING AND CHECKING THE MACHINE

This CNC lathe is packed on one wooden plate. When receiving the machine, carefully disassemble the wooden plate and remove all parts. Do not damage the machine while unpacking it. Examine all parts to make sure that no breakage has occurred during shipping. If any parts damage has occurred, contact your local distributor or the machinery manufacturer.

Machine Tools

2.4 STORAGE

2.4.1 STORAGE WITH THE MACHINE PACKED

1. Ensure to put an anti-moisture substance inside the crate.
2. Do not place the whole packing directly under the sunlight or near any other heat source.
3. Keep away from any corrosive substance or any equipment causing abnormal vibration.
4. The ambient temperature and moisture should be moderate and kept as constant and smooth as possible.

2.4.2 STORAGE OF THE BARE MACHINE

1. Ensure to fasten all the loose parts and have an anti-rust treatment of the lathe.
2. Ensure to fasten all the sliding guards and doors to prevent from moving, even falling.
3. Ensure to enclose the lathe with a waterproof cover to keep this lathe from moisture or corrosive substance. Otherwise this might cause the mechanical and electrical part damage.
4. Ensure to put anti-moisture substance inside the electric cabinet, operating panel, and any other enclosure of this lathe.
5. Do not place the lathe directly under the sunlight or any other heat source. Keep away from any corrosive substance or any equipment causing abnormal vibration. The ambient temperature and moisture should be moderate and kept as constant and smooth as possible. Otherwise this might cause the mechanical and electrical and electrical parts damage.
6. Ensure all the power supplies are off and the main power supply cables are taken off before putting the pack in store.

CHAPTER 3

INSTALLATION

PLEASE READ CAREFULLY BEFORE

INSTALLATION THIS LATHE

Machine Tools

3.1 PREPARATION

To upgrade the operation efficiency and accuracy of this CNC lathe, a proper foundation is required. Ensure the site space and the path width is large enough to install and transport the whole lathe at least 30 working days before the arrival of this lathe. If short of for space, please inform local agent or us as soon as possible, we will provide a suggestion and information service for you. Please clear the space in advance for the lathe to move in and install.

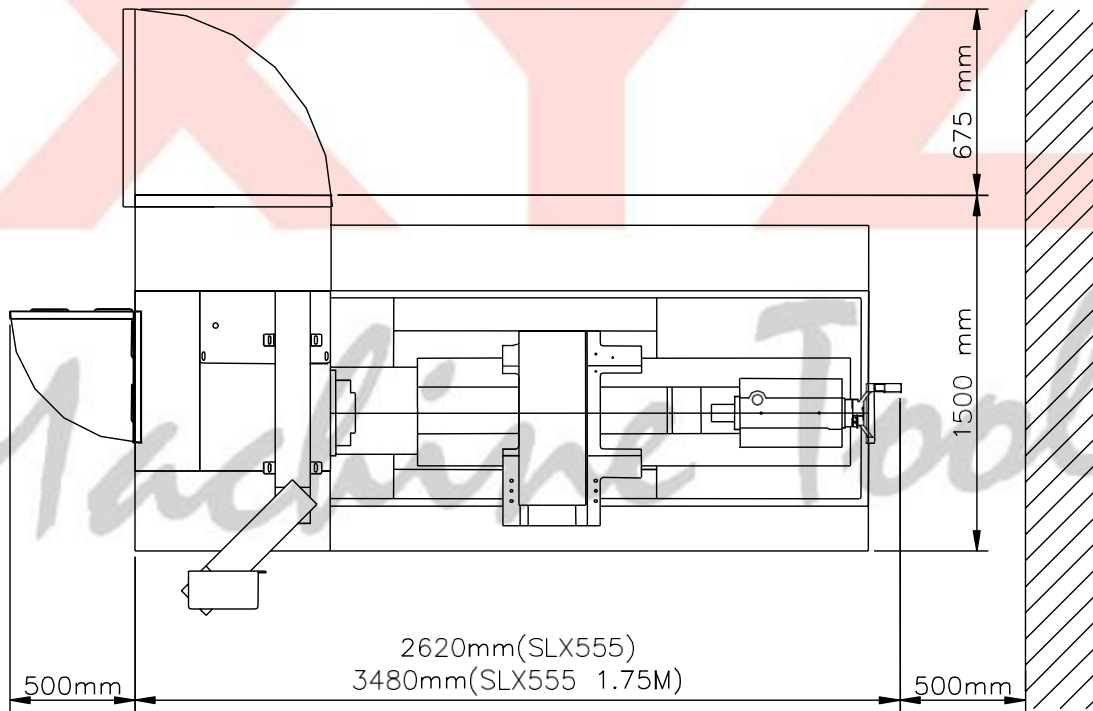
WARNING !!!

Ensure to reserve space for optional equipment. Please contact local agent or connect us if you have any problem in installing this lathe.

XYZ
Machine Tools

3.1.1 SPACE REQUIREMENT

A distance of at least 500mm is required from machine to wall end objects or between machines to ensure easy repair, cleaning and maintenance of machine. Recommended site space for the lathe with standard equipment:



3.2 INSTALLATION LOCATION

To upgrade the operation efficiency and accuracy of this CNC lathe, a proper foundation is required.

It is recommended that this CNC lathe should be located in a plant with ambient temperature of around 20 °C and without the influence of dampness, chemical gas or trembling. This lathe should be installed under the following locationK

1. Do not install the lathe in a location near vibration sources, such as air compressor, punch press, etc. Otherwise poor machining accuracy may result.
2. Do not expose this CNC lathe to direct sunlight, moisture, etc.
3. Keep this lathe away from flying powder, corrosion substances, etc.

3.2.1 ENVIRONMENTAL REQUIREMENT

This lathe should be installed under the right environments as followingK

1. Voltage: 85% to 110% of the rated voltage
2. Frequency: Rated frequency*2 Hz
3. TemperatureK 0C to 45C (32F to 113F)
4. Relative humidity – less than 90%, the moisture condense to water drop due to temperature alternation is unacceptable.
5. Keep the lathe away from excessive dust and corrosion substances nearby.
6. Do not expose the lathe directly under sunlight or heat source, which might result in considerable environmental temperature changes.
7. Do not place the lathe near any abnormal vibrations.
8. Do not place this lathe near the magnetic and static electric fields.
9. Do not place this lathe near the air compressor and presser.
10. Do not place this lathe near any equipment causing electronic noise.

3.3 FOUNDATION CONSTRUCTION PLAN

This lathe should be placed upon a solid foundation to maintain the lathe accuracy for a long run. Dig the planning site to about 100cm underground. Pave the bottom with a layer of pebble 20 cm thick, then fill the site with concrete. The foundation surface should be level and flat. Ensure to reserve spaces for the foundation-fixing studs. Please refer to the section of foundation construction plan for details.

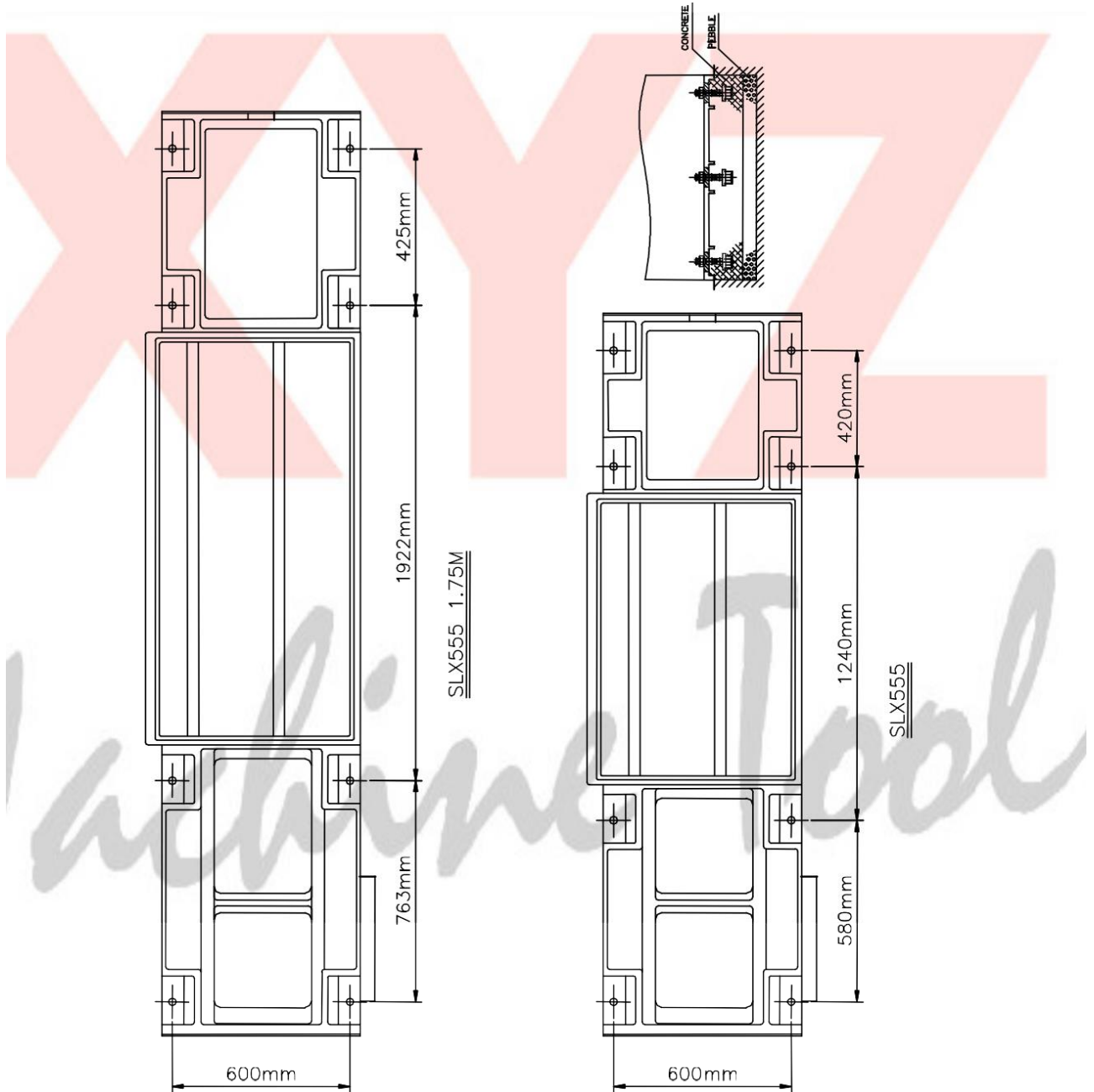
3.3.1 FOUNDATION CONSTRUCTION PLAN ONE

1. Ensure the foundation construction work is finished at least 12 days prior to the arrival of the lathe. Refer to the following foundation construction diagrams for details. The construction procedures are listed as follows: Dig the foundation site. Pave the site bottom with a layer of pebble stone.
2. Ensure to reserve 8 spaces for installing the L shape fixing studs and foundation pads before filling up the foundation site with concrete. Ensure those 8 surfaces are level and flat.
3. After the concrete is dry and solid, place temporary foundation pads on those 8 reserved spaces, then place the lathe above the foundation pads. Ensure to leave a space of 50mm between the lathe base bed and ground to install the L shape fixing stud.
4. Place foundation pads on those reserved spaces, insert the L shape fixing stud through the foundation pad and foundation bolt, then fasten the fixing stud with the nut, as shown in the following figures.
5. Adjust the L shape fixing studs based on dimensions shown in the following figures. Fill up those reserved spaces with concrete. Level the lathe after the concrete is dry and solid.

3.3.2 FOUNDATION CONSTRUCTION PLAN TWO

Ensure the ground is rigid enough to place the lathe. Place the leveling blocks on the ground, then place the lathe upon the leveling blocks. Level the lathe accordingly. (see 3.3.3)

3.3.3 FOUNDATION CONSTRUCTION



3.4 ELECTRICAL EQUIPMENT INSTALLATION

This lathe should be installed under the right electrical environments.

WARNING !!!

Before connecting the power wires, make sure the voltage is the same for both the machine and the plant power.

3.4.1 POWER SUPPLY REQUIREMENT

1. Voltage: the voltage must be between 85% to 110% of the local voltage
2. Frequency: the frequency must be between ± 2 Hz of rated frequency
3. Ensure to install a adequate current-fault breaker(see 3.4.5) prior to the power supply switch or transformer of this lathe.
4. Ensure all the associated connections and wiring are appropriate, that is, connections and wiring should conform with the local safety rules at least.
5. Thread the power supply cable through the cable inlet positioned at the lower right side of the lathe, rest the cable upon the electric cabinet frame, then connect the cable to the main power supply switch of this lathe.

3.4.2 POWER WIRING

Follow the instructions below to wire powerK

1. Ensure the electrical cables have the same or better power rating as prescribed in the electrical document.
2. Only qualified engineers are allowed to connect the power cable of this lathe.
3. Do not connect any power cable that might generate signal noises on the power panel of the lathe.
4. Do not connect the power cable of the lathe to any power source or power panel that might cause an abrupt voltage drop.
5. Remove all the anti-moisture substances placed inside the cabinets or panels.
6. Ensure to turn off all the power supplies and place “Under Installation High Voltage Equipment. Do not turn on the Power” warning signs in front of the main power supply switch before connecting the power supply.

WARNING !!!

Only qualified engineers are allowed to install or maintain the electrical equipment of the lathe. Failure to do so will result in serious accident.

3.4.3 GROUNDING

Connect the connector marked with “PE” inside the electric cabinet to the external grounding conductor. If it is no “PE” wiring on the external power supply system, please prepare one ground wire and set a grounding copper rod under the ground, then connect the “PE” connector on the electric cabinet and the ground rod with the ground wire.

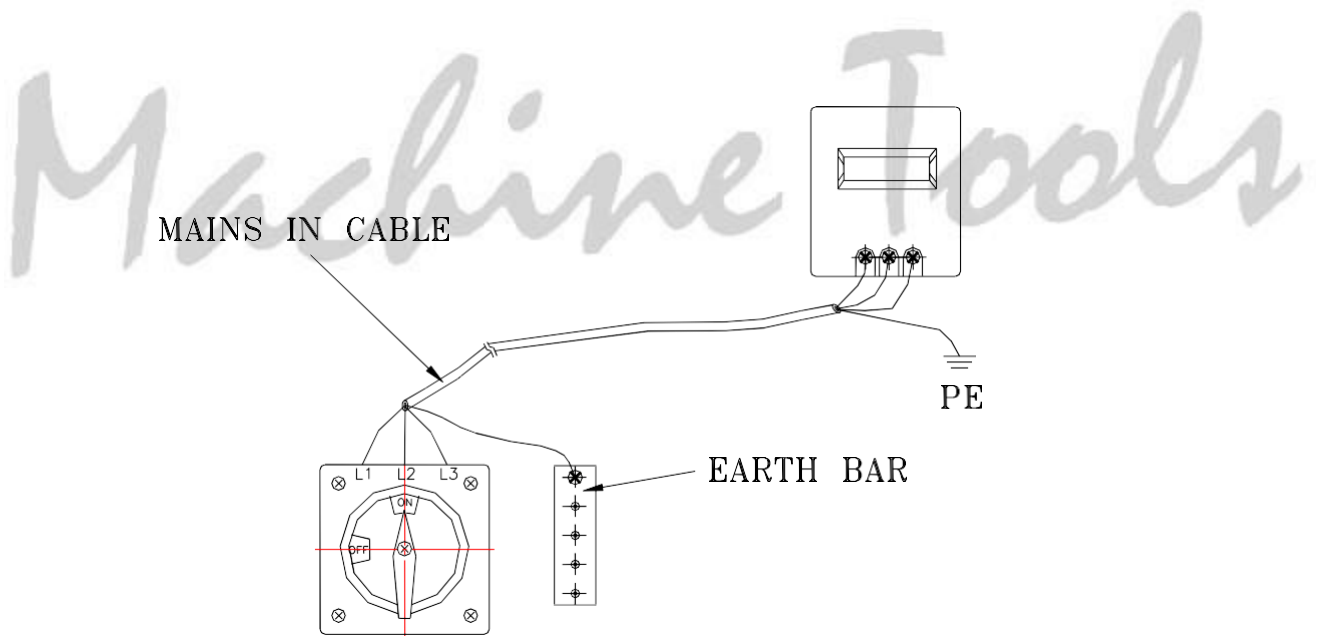
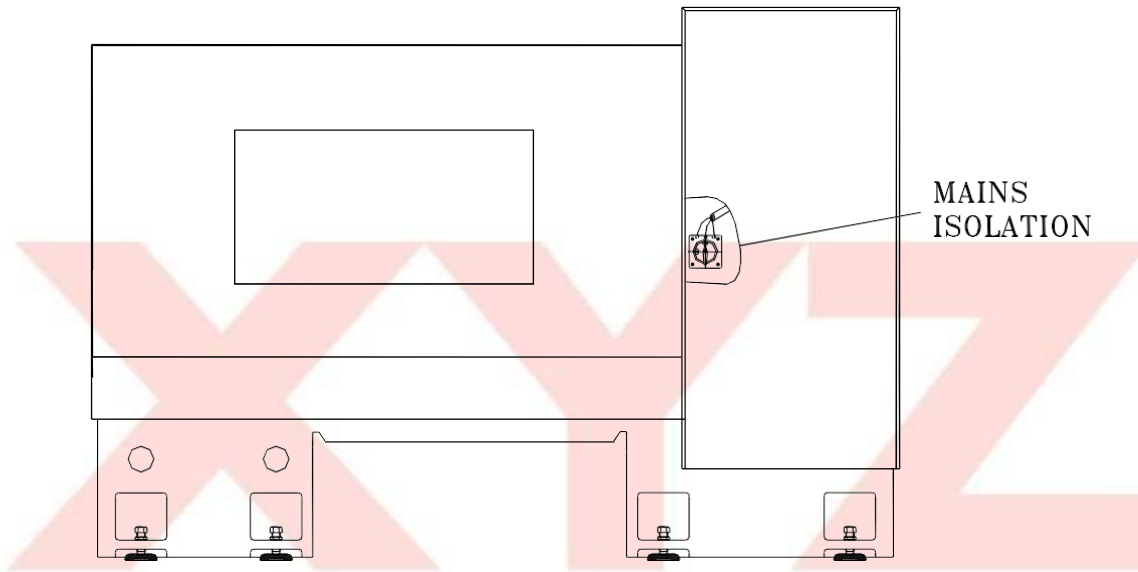
The minimum cross section area of the grounding wire lead used is 14 mm². The impedance of the grounding wire should be less than 100 ohm. Dimensions of this wire should be larger than A W G No.5 and S W G No.6 . (Ensure this NC lathe is grounded to a individual grounding rod.) If this kind of arrangement is not possible, please grounded the lathe based on the following instructionsK

1. The grounding wire of the lathe should be connected to its own grounding terminal individually. This kind of arrangement could prevent external grounding current overflow into this lathe. This overflow current might result in a serious damage on this lathe and is prohibited.
2. The reinforced concrete steel rod is usually used as a grounding terminal because of its low resistance to ground (less than 5 ohm). In doing so, please make connections according to the following instructions. These instructions are also valid when connecting ground wires to other types of grounding terminal.
3. Do not share the grounding terminal of this lathe with other equipment, such as welding equipment and high frequency induction lathes.
4. Ensure the power rating of the grounding terminal is compatible to the power rating of this lathe.
5. Always use an isolated grounding wire with a minimum length.
6. Be sure to measure the impedance to ground of the grounding device if only one equipment is connected, and the resistance should be less than 100 ohm.

WARNING !!!

Do not connect the grounding cable of this machine in series with that of other machine. Otherwise this might result in a serious accident.

3.4.4 ELECTRICAL CONNECTION



3.4.5 SPECIFICATION OF ELECTRICAL REQUIREMENT

EXK

$KVA \kappa(11KW + 1.3KW + 2.1 KW + 2.6KW) / 0.746 = 22.788 KVA = 22788 VA$

$220VK[(22788 VA / 220V)/1.732] \times 1.2 = 72 A$

$380VK[(19035 VA / 380V)/1.732] \times 1.2 = 42 A$

$415VK[(19035 VA / 415V)/1.732] \times 1.2 = 38 A$

CONTROL : FANUC (STANDARD)

Total power capacity of the equipment : 12 KW				
No.	Voltage	Rated Capacity	Wire	Current-fault breaker
1	220V	47 A	Н22`φ	60A
2	380V	30 A	Н10`φ	40A
3	415V	27 A	Н 10`φ	40A

CONTROL : FAGOR (STANDARD)

Total power capacity of the equipment : 10 KW				
No.	Voltage	Rated Capacity	Wire	Current-fault breaker
1	220V	35 A	Н14`φ	40A
2	380V	20 A	Н10`φ	30A
3	415V	19 A	Н10`φ	30A

CONTROL : SIEMENS 802D (STANDARD)

Total power capacity of the equipment : 15 KW				
No.	Voltage	Rated Capacity	Wire	Current-fault breaker
1	220V	52 A	Н22`φ	60A
2	380V	30 A	Н10`φ	40A
3	415V	28 A	Н 10`φ	40A

WARNING !!!

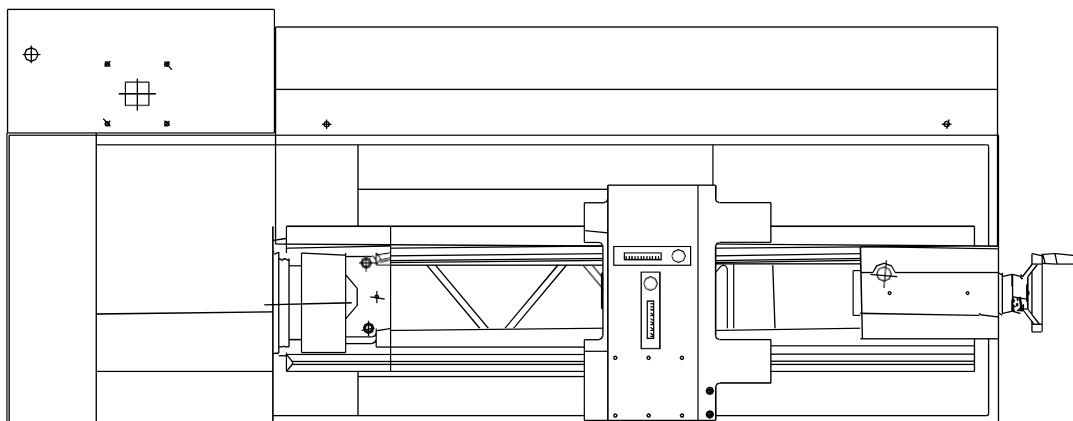
Ensure the electrical cables have the same or better power rating as prescribed in the electrical document.

3.5 LEVELING THE MACHINE

3.5.1 ADJUST THE MACHINE

If the CNC lathe is not installed properly, its bed may become twisted. Even a slight amount of twist will move centers out of alignment, and result in inaccurate work. Adjust the machine leveling under the following procedures:

1. Place the temporary foundation pads or leveling blocks on the foundation.
2. In the first case, insert the L-shape fixing stud through the pad and foundation bolt, then fasten the fixing stud with the nut.
3. Adjust foundation bolts until the space between the base bed and foundation pad is 5mm (approx.) long.
4. Place two horizontal levels on the cross slide orthogonally, level the lathe until differences between levels in both directions are within 0.05mm/m.
5. Fasten the setup nuts for the foundation pads and L shape-fixing studs.
6. Wait for about seven days until the concrete is dry and solid.
7. Place two 200mm long horizontal levels on the cross slide orthogonally, level the lathe until difference between levels in both directions is within 0.02mm/m.
8. After the leveling has been accomplished, tighten the nuts on the leveling screws.



3.6 INSPECTION

3.6.1 BEFORE POWER START-UP

1. Ensure the power supply specification is correct.
2. Ensure electric cables and connectors are appropriated based on the local safety regulations.
3. Ensure connections between the lathe and grounding terminals are correct.
4. Ensure the current-fault breaker required by the local safety regulations is installed on the power supply side.
5. Ensure all the temporary fastening equipment used during the transportation process is removed.
6. Ensure there is no loose part on the working table.
7. Ensure there is no loose part on the folding guard.
8. Ensure all the fixing studs are fastened properly.
9. Secure nuts, bolts, locks, and other parts needed to be secured.
10. Ensure the hydraulic, pneumatic, and cutting coolant systems are connected properly.
11. Ensure safety-guarding shields and doors are in a good condition.
12. Ensure the hydraulic oil, lubricant, and cutting coolant are filled up to the required level.
13. Ensure all the over-travel limit switch are working.
14. Ensure tension of the spindle driver's belt is appropriate.
15. Ensure there is no unexpected person or substance around the lathe before starting up the lathe.
16. Read manuals carefully and ensure you understand all the safety instructions and operating procedures before starting up the lathe.

3.6.2 AFTER POWER START-UP

Make sure the power source wires are connected to the right connection points. Follow the instructions below to check the power wiring.

1. Ensure functions of the power supply switches are normal.
2. Ensure the hydraulic pump and cutting coolant pump work normally. Stop the lathe immediately if the pressure indication is abnormal. Check the power supply wiring connection if necessary.
3. Start chuck running. If the chuck runs in the correct direction, the power wires are connected to the correct points. Otherwise, If the chuck runs in the wrong direction, change any two of the three power wires until correct running direction of chuck is obtained.
4. Ensure the emergency stop switch.
5. Ensure the lubrication pump work and all the lathe parts are lubricated properly.
6. Ensure the cooling system works normally.
7. Ensure the stroke-limiting functions specified by the NC programming codes and over-travel limit switch work.
8. Run the test program to ensure the lathe is in a normal condition.
9. A time interval of more than 30 seconds is required between power switch off and on at the mains isolator to allow the machine interval self checking circuits to fully reset.

WARNING !!!

Only qualified engineers are allowed to install or maintain the electrical equipment of the lathe. Failure to do so will result in serious accident.

CHAPTER 4

OPERATIONAL PROCEDURE

PLEASE READ CAREFULLY BEFORE
STARTING TO OPERATE THIS MACHINE

4.1 MACHINE

This machine could be operated under manual or automatic mode. The information about how to operate this machine is given below. Please read carefully before starting to operate this machine.

4.2 SAFETY EQUIPMENT

1. Safty chuck guard.
2. Over-traveling limit switches for moving in the X and Z directions.
3. Emergency stop push button.
4. NC programming codes written to limit the traveling distance.
5. Interlock relationships specified by the NC software codes to prevent wrong operating this machine.

4.3 BEFORE START-UP

Ensure all the wires and cables are insulated properly before starting up this machine, otherwise might happen electric leakage and shock.

4.3.1 INSPECTION BEFORE TURNING ON THE POWER

1. Ensure there is no loose wiring or connector.
2. Ensure the electrical cabinet, doors of NC controller and other safety guarding doors are closed.
3. Ensure all the machine parts are secured and fixed properly.
4. Ensure all the oil levels are normal.

4.3.2 WARNINGS

1. Ensure you know how to use this machine before starting it.
2. Always wear the correct protection outfit, such as safety goggles, oil-proof safety shoes, safety uniform, etc. before starting the machine.
3. Ensure all the doors and shields of the machine, the operating panel and the main power supply panel are closed before starting up the machine.

4.3.3 NOTICES

1. Ensure the power supply of this machine is enough to run all the units of this machine easily before starting up the machine.
2. All the cable should be protected from contacting with chips, which might result in an electric short.
3. Always clean and lubricate all the sliding surfaces before starting up the machine if the machine is just unpacked or has not been used for a long time. Ensure to run the lubrication system for a while until all the sliding parts are lubricated adequately before starting up this machine.
4. Always use the proper type of lubrication oil as indicated in the nameplate or the manual.
5. Check all the switches, push buttons and operating levers to make sure they could be operated smoothly.
6. To turn on the main power, the procedures below must be following:
Turn on the factory's main power supply III switch "on" the circuit breaker of the machine's main power supply III press on the push button on the operating panel to turn on the CRT and controllers.
7. Check the oil level of the oil tank regularly. Fill it up if necessary.
8. Check the coolant level of the cutting water tank regularly. Fill it up if necessary.
9. Ensure the standby signal light is luminous after switching on the main power supply.

4.4 START AND STOP THE MACHINE

4.4.1 START PROCEDURE

1. Connect the power supply.
2. Turn on the main power supply switch.

WARNING !!!

Ensure the load capacity is correct before turning on the power supply.

4.4.2 EMERGENCY STOP PROCEDURE

If any emergency conditions are happened, push down the emergency stop button on the main operation panel to stop the machine immediately. Pull upward to release the emergency stop button.

4.4.3 NORMAL STOP PROCEDURE

1. Push the power "OFF" button of NC equipment.
2. Turn off the main power supply switch.

4.5 WARM-UP

Based on our experience, the sudden thermal expansion of the casting parts might damage the contact surfaces of the sliding parts and result in a serious oil leakage and loss precision. Ensure to warm up the machine before starting to machine the workpieces if the machine has not been run for sometime.

4.5.1 NOTICES

1. Ensure all the sliding parts have been returned to the zeroing position slowly before warming up the machine under automatic mode. Make sure the program command is correct in order to prevent the machine from damage.
2. Ensure to warm up the machine under automatic mode for 10 to 20 minutes with an appropriate spindle speed (1000 rpm) and feed rate (1000mm/min).
3. Ensure each and every movement of the machine is normal while warming up the machine under the automatic mode.

Machine Tools

4.6 PREPARATION

4.6.1 WARNINGS

1. Always use the recommended cutting tools. Otherwise this might cause an accident.
2. Do not use broken or defective cutting tools.
3. Ensure to have a sound lighting facility around the working area.
4. Tools and equipment surrounding the machine should be kept in place. Keep the machine and working area clean and orderly.
5. Do not lay anything upon the working surfaces, including the guideways, saddle, safety guards, etc.

4.6.2 NOTICES

1. Check the oil level of the oil tank regularly. Please use the recommended oil as described in the oil guide table of the maintenance manual.
2. Use the standard cutting tools and tool length.
3. Always try a light-load machining before doing a heavy-load machining.

WARNING !!!

- (a) Ensure the load capacity is correct before turning on the power supply.
- (b) Ensure all the alarm messages of the alarm message indicator are off before proceed.

4.7 OPERATION

4.7.1 WARNINGS

1. Beware of loose or long hair near the working area to avoid unnecessary accident from happening.
2. Do not wear gloves when operating the machine, otherwise it will cause dangers.
3. Always handle large workpieces with appropriate manpower.
4. Only qualified people are allowed to operate the forklift truck, crane, lifting equipment and other materials handling equipment.
5. Never open the guarding doors while machining.
6. Ensure the workpiece has been clamped firmly and properly on the holding device before machining the workpiece.
7. Stop the machine before adjusting the coolant nozzles.
8. Do not touch or reach over rotating or moving objects.
9. Do not remove any safety equipment.
10. Always use the proper tools, instead of using your hand, to remove the chip from the cutting tool.
11. Do not install or remove the cutting tool and other tool holding equipment unless the machine is fully stopped.
12. Always wear appropriate protective equipment while working in a dusty environment.
13. Ensure to open the dust collecting equipment and wear a safety mask while machining the workpiece made with graphite or any other materials might generate powder chip.
14. Always use the appropriate lifting equipment to handle the loads, and beware of the surroundings while operating the lifting equipment to prevent crashing and damaging.
15. Ensure the chips do not pile up so that might cause fire while doing a heavy-load machining.

4.8 ZERO POINT RETURNING PROCEDURE

The zero point returning should move toward the positive direction for X and Z axis. Along each of the two directions, ensure the starting point is at least 30mm away from the zero point in the negative direction for X and Z axis.

WARNING !!!

- (a) Ensure to do the zero point returning after turning on the main power supply.
- (b) Ensure to do zero point returning after running the programming codes with parts of the machine motions actually fixed.

XYZ
Machine Tools

4.9 MANUAL OPERATION PROCEDURE

4.9.1 MANUAL OPERATION MODE

Select switch to JOG mode to enable this mode. Please note that turn the JOG mode select switch to manual mode will interrupt the automatic operation process. On the other hand, the manual operation will stop if any mode other than manual mode has been selected.

4.9.2 MANUAL FEED MOTION

1. Select switch to JOG mode to enable this mode.
2. Select a proper feedrate by adjusting the switch, then start the feed motion by pressing the button.
3. The feed motion continues with the button being pressed on. The feed movement will slow down and stop once the button is released.

4.9.3 MANUAL RAPID TRAVERSE FEED

1. Select switch to JOG mode to enable this mode.
2. Press the rapid traverse speed button and the motion direction. The feed movement will slow down and stop once the button is released.

4.9.4 MPG FEED MOTION

1. Select switch at MPG or JOG mode (depend on different control system).
2. Select a proper speed by using the MPG scale select and select the motion direction.
3. You can control the feed motion by manipulating the hand wheel.

4.10 START OR STOP SPINDLE ROTATION

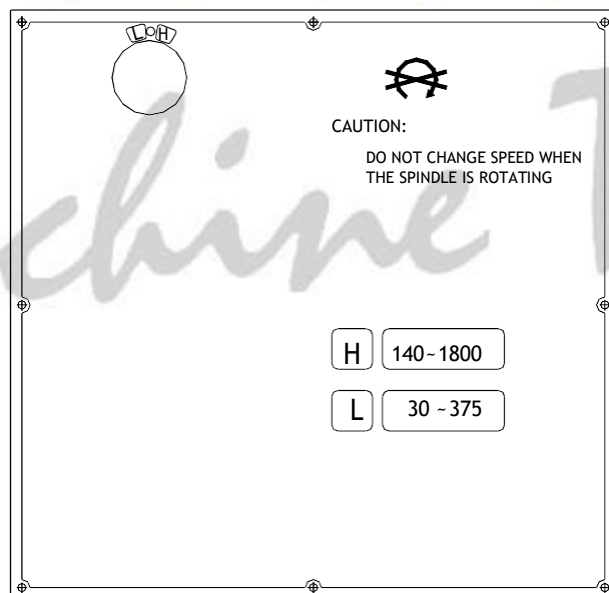
4.10.1 CHANGE SPINDLE SPEED (MANUAL)

Spindle drive is from the main motor using an AC inverter variable speed drive and through a manually operated speed range selector lever. The spindle speed is first selected by means of the selector lever onto one of two positions.

LOW SPEED : 30 – 375 RPM

HIGH SPEED : 140 – 1800 RPM

Spindle forward/reverse running control, start/stop control and variable speed control are controlled by CNC system.



WARNING !!!

Do not shift the speed range selector lever while the spindle is running.

4.10.2 CHANGE SPINDLE SPEED (AUTO)

If automatic gear change system (Optional) is supplied on this lathe, the spindle speed is selected automatically.

LOW SPEED : 30 – 375 RPM

HIGH SPEED : 140 – 1800 RPM

4.10.3 START OR STOP THE SPINDLE ROTATION

Refer to the following steps to start or stop the spindle rotation K

1. Select switch at the JOG mode.
2. Press the clockwise (CW) or counter clockwise (CCW) switch to rotate the spindle.
3. Select a proper spindle speed by adjusting the spindle speed adjusting switch.
4. Push the spindle stop button to stop the spindle rotation if necessary.
5. The spindle motion could also be started or stopped under the MDI mode by using the miscellaneous M functions. Please refer to the related information for details.

4.10.4 SPINDLE SPEED CALCULATIONS

As a variable speed drive is available to the spindle, it is possible to machine a particular material at its optimum surface speed, hence spindle speed in rev/min and at the optimum power available.

The optimum spindle speed is calculated from the formulae shown below.

Using $N = S \times 1000 / \text{Radius} \times D$

D = diameter in mm

S = cutting speed in metres/min

N = spindle speed rev/min

ExampleK

It is required to rough turn a diameter of 100mm in mild steels.
What spindle is required, and in what speed range should it be used?

Using $N = S \times 1000 / \text{Radius} \times D$ where S = 400 m/min

Therefore $N = 400 \times 1000 / \text{Radius} \times 100 = 1273 \text{ rev/min}$

4.10.5 CUTTING FORCES AND POWER CONSUMPTION

If a calculated requirement is in excess of availability, then the proposed depth of cut or feed rate should be reduced proportionately.

Note that in certain circumstances reference to the power curves may show that a change of spindle RPM or speed range will provide a sufficient increase in power availability to meet the proposed demand.

4.11 OPERATION

4.11.1 PREPARATION

Please follow steps below to prepare for the process K

1. Select the proper way of machining, jig mounting and fixture equipment.
2. Design the machining sequence.
3. Select the proper machine tools and arrange the tool sequence.
4. Select proper cutting conditions. Ensure those conditions meet specifications of the machine.

4.12 BREAK-UP

Ensure to turn off the emergency stop on the operating panel and the circuit breaker of the main power whenever the machining job is done and the machine is left unattended.

4.13 FINISH

1. Turn off the power
2. Turn off the NC controller power.
3. Turn off the main power supply switch located on the electrical cabinet wall.

4.14 INSPECTION AFTER FINISH

1. Ensure all the machine parts are in good conditions.
2. Check the centralized lubrication system. Fill up or refill the oil if necessary.
3. Ensure there is no leakage occurred in the pipe lines.
4. Ensure all screws are secured properly.
5. Ensure all the gauges and indication meters are in normal conditions.
6. Clean up the cutting chips. Keep the machine and working area clean and orderly.

4.14.1 NOTICES

1. Ensure to turn off the power supply of the machine and put “Under Maintenance. Do not turn on the power supply” warning signs on visible spots before cleaning the machine or accessories. Ensure the machine is fully stopped before maintaining the machine.
2. Ensure to clean the machine and its surroundings and put everything in order after the machining job is done. Ensure to put anti-rust oil on the machine bed and all the moving parts to keep them from rust and dirt.
3. The entire machine moving parts should be returned to the original zeroing position.
4. Check and replace the broken wipers.
5. Check and replace the lubricant or hydraulic oil if they are dirty or emulsify.
6. Check and replace the coolant if they are dirty.
7. Check and refill the lubricant, hydraulic oil and coolant if necessary.
8. Clean the filters of the lubrication, hydraulic, and cutting cooling systems.
9. Turn off all the power switches and main power circuit breakers when leaving the machine unattended.

4.15 TURNED SURFACE FINISHES

Many factors effect the surface finish achieved when turning. The following table assumes that good turning practices are followed and that the best possible conditions are available. I.e., machine and equipment are in good condition with tools and components held effectively with optimum rigidity.

The graph shows the effect of toolnose radius combined with feedrate on surface theoretical finish available.

1. Cutting speed

Generally, a low cutting speed leads to a lower shear angle, greater cutting forces and a longer contact time between tool and workpiece. This encourages edge build up, which can lead to tearing and galling rather than cutting. Therefore and increased cutting speed can improve surface finish.

2. Rake angle

Particularly when cutting ductile materials a greater rake angle may improve the surface finish. This is achieved due to the increased shear angle and thus the decrease in cutting forces, giving less tendency for the workpiece material to adhere to the cutting edge.

3. Dulled tools

When a tool becomes dull, the flank wear land contact area is increased. This in turn increases the cutting force and heat generation, and may lead to larger flank wear land ripping out fragments of the workpiece. Keep tools sharp, and index them regularly.

4. Coolant

This may improve the surface finish, as it will reduce the tendency of workpiece material adhering to the tool due to the reduced temperature at the tool-chip interface. However, coolant residue may contaminate the contact surface between tool and workpiece interfering with the metallurgical reactions which cause the tool to perform erratically.

XYZ

This page is intentionally left blank.

Machine Tools

CHAPTER 5

MECHANISM

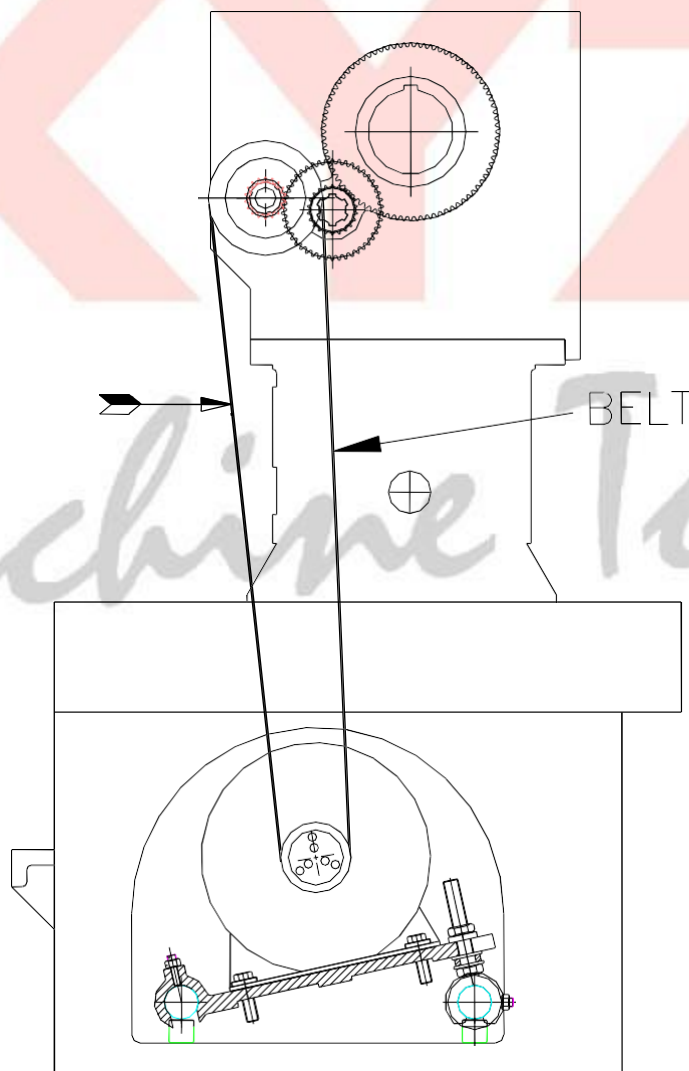
PLEASE READ CAREFULLY BEFORE
OF ADJUSTMENT THIS MACHINE

Machine Tools

5.1 HEADSTOCK SYSTEM

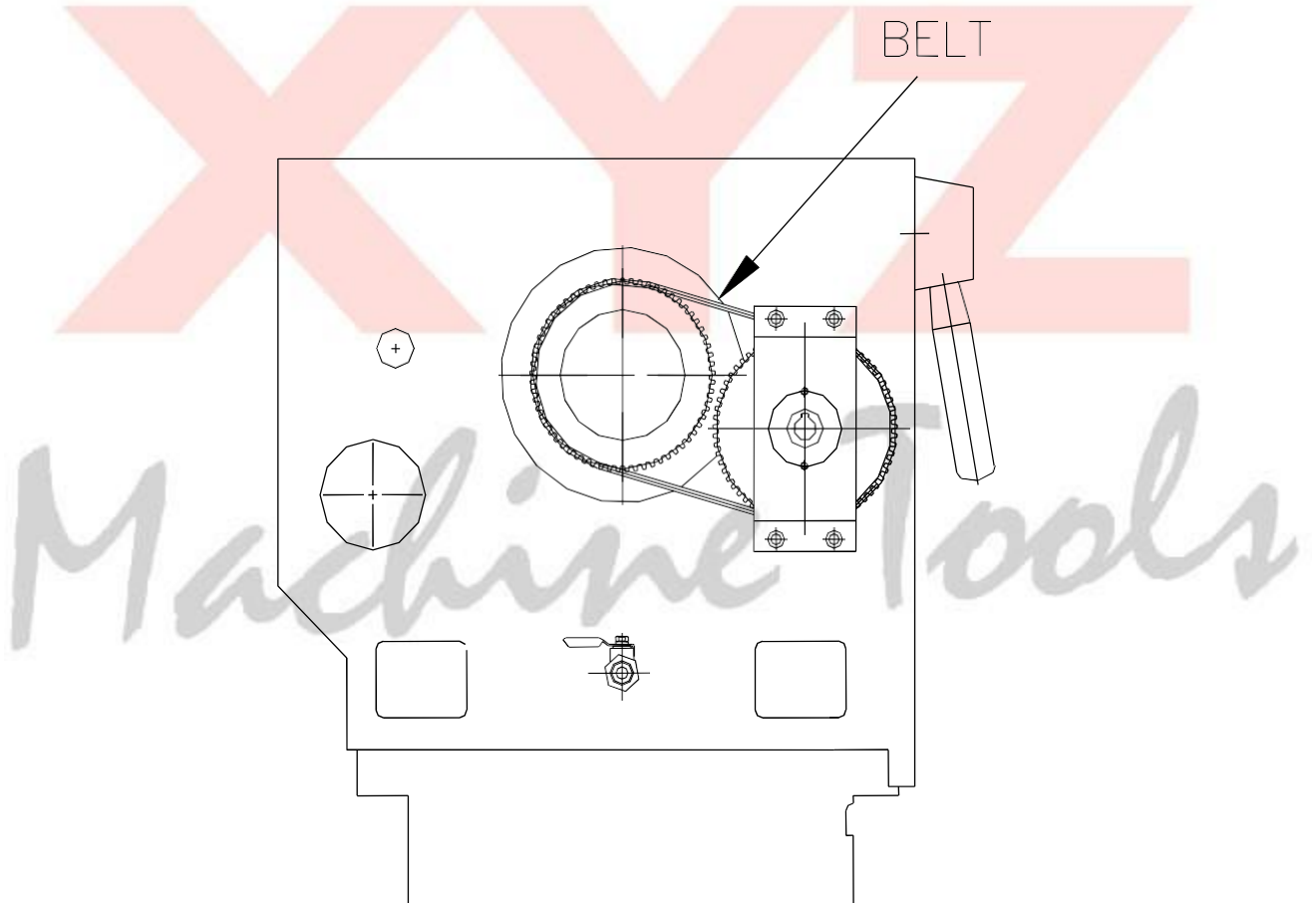
5.1.1 SPINDLE DRIVE MECHANISM

Spindle is driven by an AC servomotor or inverter variable speed motor through a timer belt. Spindle forward/reverse running control, start/stop control and speed control are controlled by CNC system. The spindle speed is first selected by means of the selector lever onto one of two positions.



5.1.2 SPINDLE POSITIONING MECHANISM

The sensor tracks the spindle rotation motion and feeds the positioning signal to the spindle drive motor's controller to control the spindle position precisely.



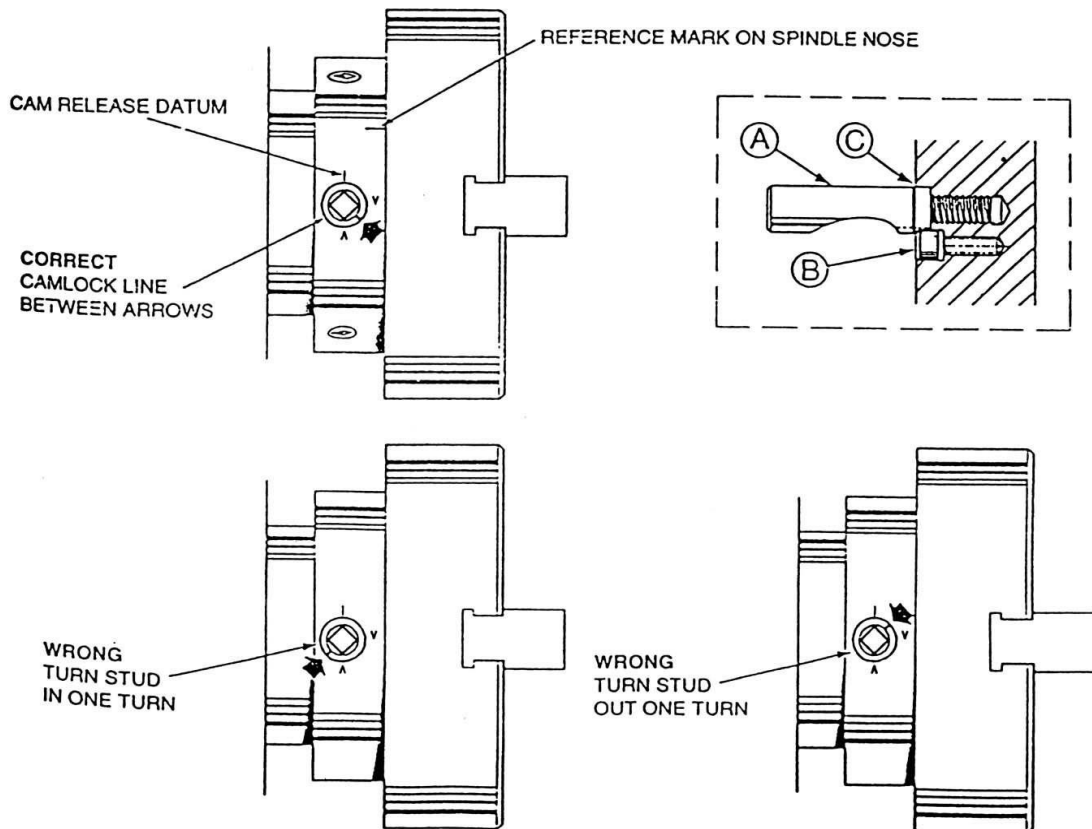
5.1.3 CHUCKS AND 3-JAW CHUCK MOUNTING

When fitting chucks or faceplates, first ensure that the spindle nose and chuck tapers are clean; mount the chuck and ascertain that the cam locks in the correct position. When mounting a new chuck, it may be necessary to reset the camlock studs (A). To do this, remove the caphead lock screws (B) and set each stud so that the scribed ring (C) is flush with the rear face of the chuck and with the circular scallop in line with the lock screw hole (see inset)

Now remount the chuck or faceplate on the spindle nose and tighten the six cams between the two “V” marks on the spindle nose. If any of the cams do not tighten fully within these marks, remove the chuck or faceplate and re-adjust the stud as indicated in the diagram. Once a chuck has been correctly fitted, it may be stamped to align with the spindle reference mark for subsequent re-mounting in the same position.

Take careful note of special limitations when using faceplates.

WARNING !!!
Only high-speed chucks should be used with this machine.



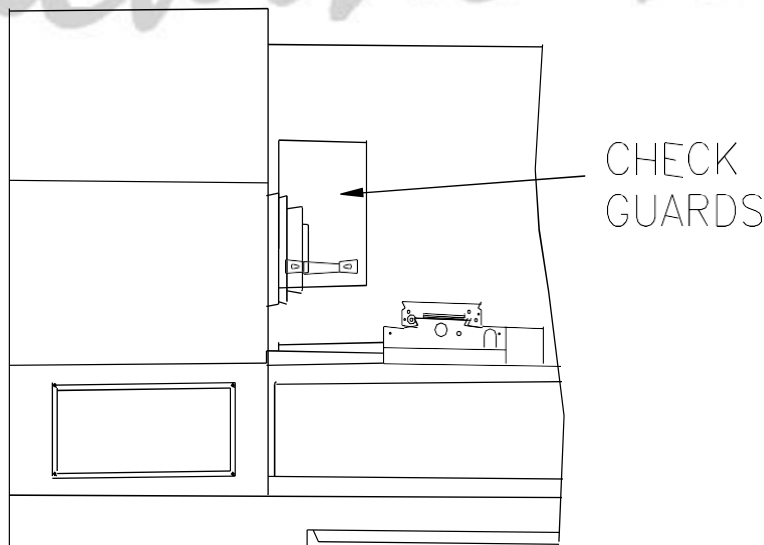
5.1.4 CHUCK GUARDS

The lathe is supplied with a fully interlocked chuck guard, which is suitable only for use with standard chucks normally supplied with the machine. This chuck guard must be in the fully closed position before the spindle is permitted to run.

1. In the event of larger chucks being fitted to the machine, an alternative chuck guard must be used which is appropriate to the chuck diameter.
2. For safe operating practices, always ensure that chuck jaws do not extend beyond the outside diameter of the chuck.
3. In the event of a faceplate being used on the machine, the normal chuck guard must be removed from its mounting and if deemed necessary by the user, alternative safe guarding facilities provided which are appropriate to the particular situation.
4. This can only be determined on a case-by-case basis when using faceplates and is therefore the responsibility of the user.

NOTE !!!

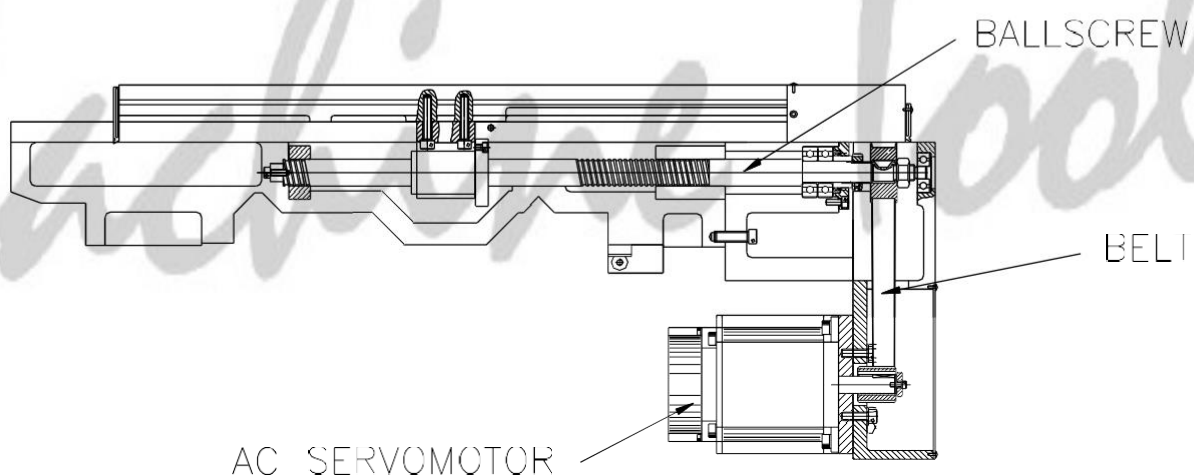
It is not recommended that the chuck jaw extend beyond the outside diameter of the chuck as in these cases interference with the chuck guards may occur.



5.2 FEED-MOTION TRANSMISSION MECHANISM

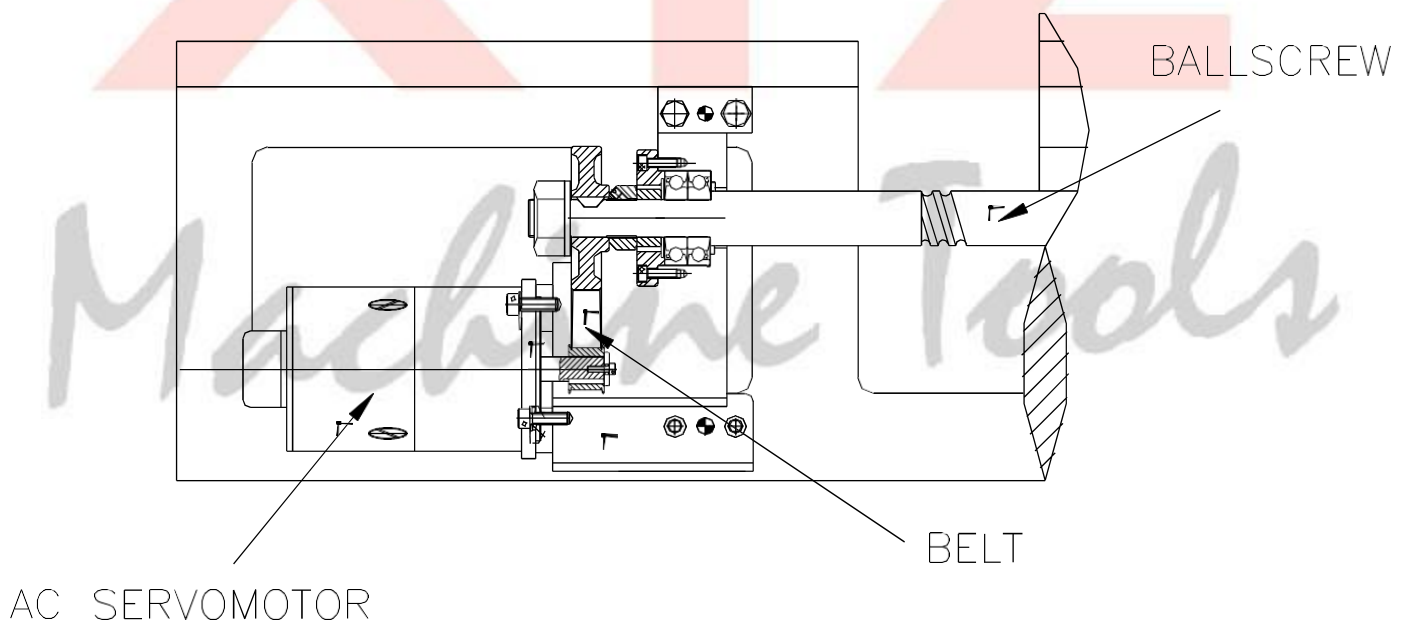
5.2.1 X AXIS TRANSMISSION MECHANISM

1. The working table is seated on guide rails of the saddle and driven by the AC servo motor via the connection of a coupling and a ballscrew.
2. The AC servo motor is connected to the ballscrew through a belt.
3. The encoder equipped with the AC servo motor is used to track down the feed motion positioning. This is only a semi-closed control loop. Otherwise can selections the linear scales (optional part) which is a closed control loop.
4. The maximum traveling range in the X direction is 195mm. A safety mechanism is used to prevent the saddle from over-traveling as described below. When the working table travels over the limit, the positioning blocks will touch the limit switch on the saddle. The limit switch transmits the over-limit signal to the AC servo motor's controller to stop the feed motion.



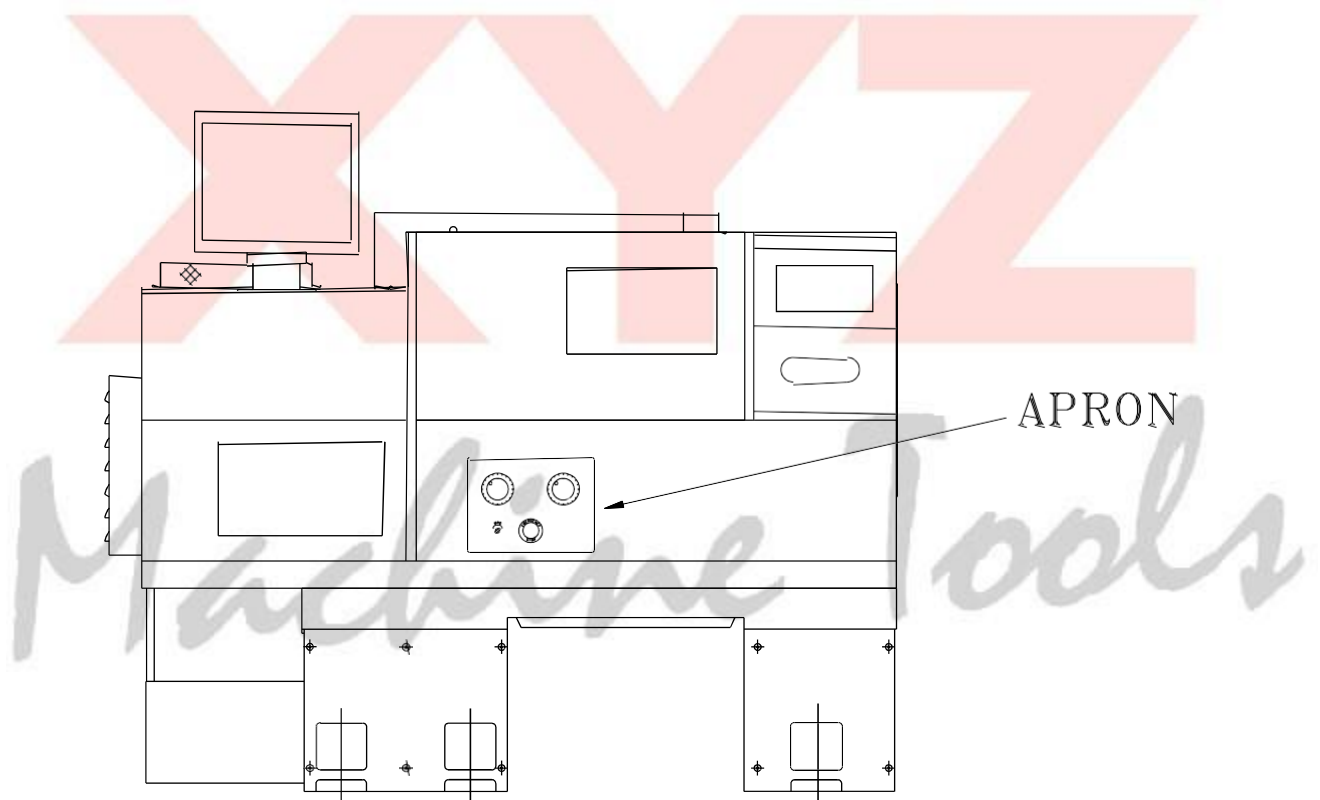
5.2.2 Z AXIS TRANSMISSION MECHANISM

1. The saddle is seated on guide rails of the bed and driven by the AC servo motor via the connection of a coupling and a ballscrew.
2. The AC servo motor is connected to the ballscrew through a belt.
3. The encoder equipped with the AC servo motor is used to track down the feed motion positioning. This is only a semi-closed control loop. Otherwise can selections the linear scales (optional part) which is a closed control loop.



5.3 APRON

The apron is fastened to the saddle and hangs on the front of the bed. It provides manual feed controls for X, Z-axes, spindle running direction, etc.



5.4 TOOLPOST MECHANISM

5.4.1 POWER INDEX (OPTIONAL)

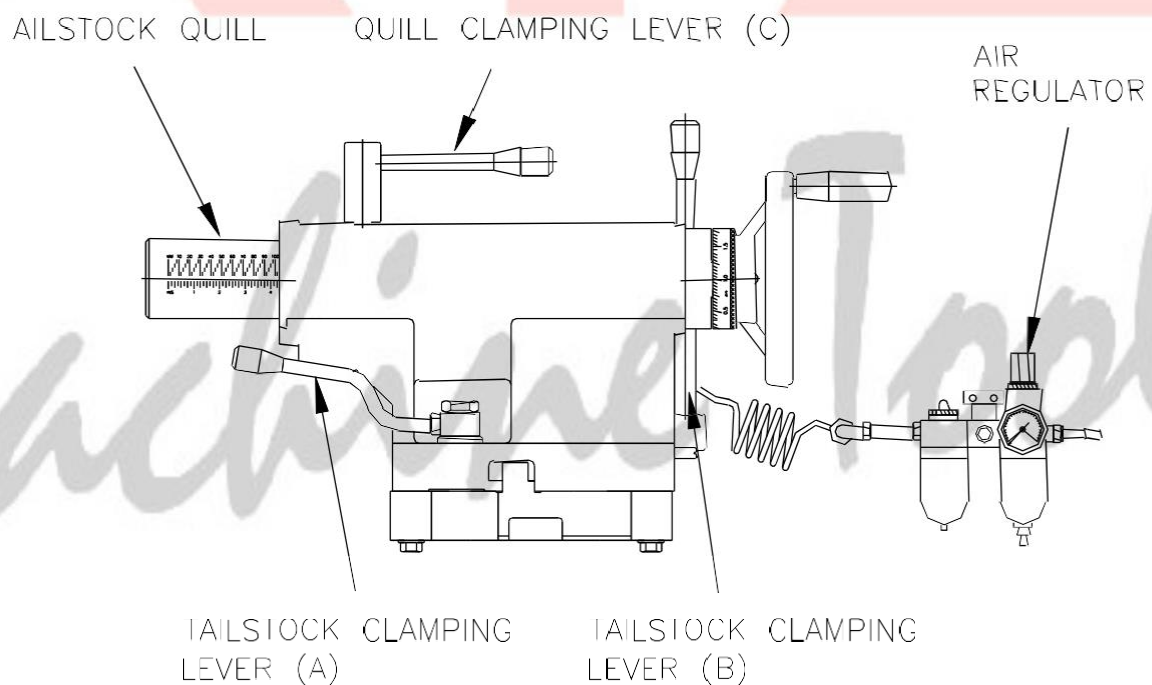
1. The power index is driven by an electrical motor. The tool selection is accomplished by using the proximity switch.
2. As the tool exchange command is issued, the swivel disk will be rotated to the selected tool position according to NC or manual commands. A proximity switch is used with the electrical motor to control the magazine's positioning. When the selected tool traces the target location, the electrical motor stop immediately. The gear will lock the tool magazine to prevent the tool magazine from further traveling.
3. The rotation direction is only cw.

5.4.2 AUTOMATIC 8 STATION DISC TURRET (OPTIONAL)

1. The tool magazine is driven by an AC servo motor and the tool selection is accomplished by using the pneumatic system and proximity switch.
2. As the tool exchange command is issued, the swivel disk will be rotated to the selected tool position according to NC or manual commands. A proximity switch is used with the AC servo motor to control the magazine's positioning. When the selected tool traces the target location, the AC servo motor stop immediately. The oil pressure system will then lock the tool magazine to prevent the tool magazine from further traveling.
3. The rotation direction could be either cw or ccw.
4. The tool is selected randomly based on the shortest path to minimize the tool selection time.

5.5 TAILSTOCK

1. The tailstock can be moved along the bed ways and clamped in position by clamping lever(A and B) .
2. To facilitate tailstock movement, the tailstock is equipped with an air floating system (Patent) for operator to move tailstock effortlessly. The pressure gauge is set at 4 g/cm² by adjusting air regulator.
3. The tailstock quill moves in and out when the tailstock handwheel is turned.
4. The Tailstock quill is graduated in inch and metric dimensions. It is locked by means of a quill-clamping lever(C).

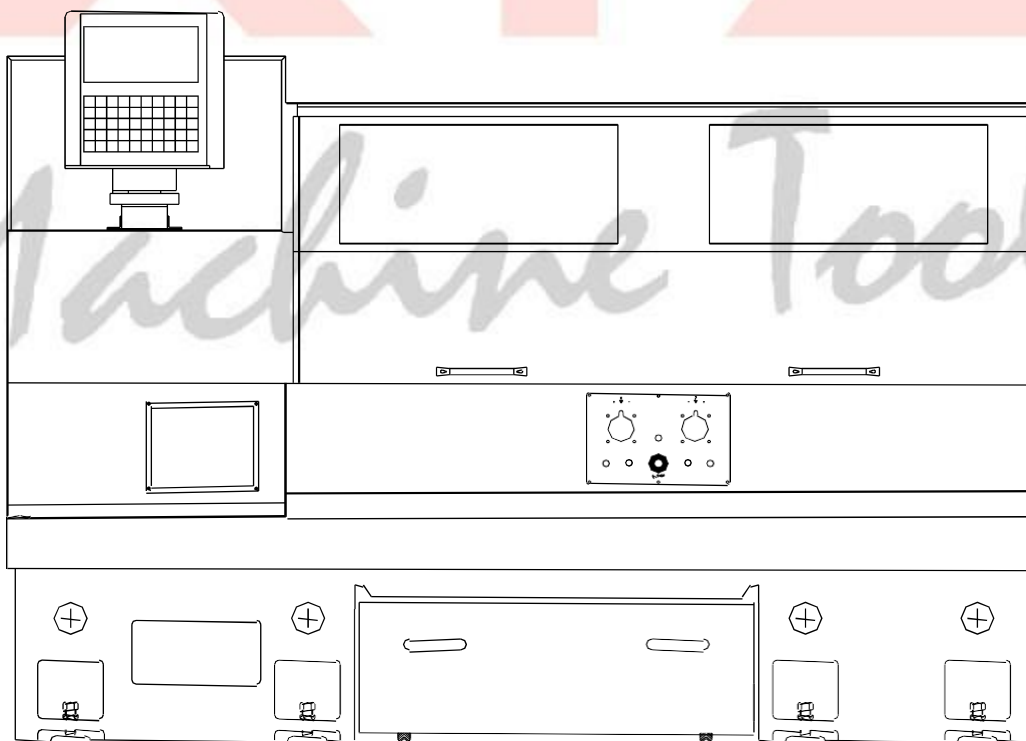


5.6 THE FULL-ENCLOSED (OPTION)

A full-enclosed sheet metal enclosure is designed to isolate the running machine and the cutting coolant and flying chips it generates from the operator. Chips are conveyed to the chip-collecting bucket through the chip conveying tunnel. The circulating cutting coolant is pumped through the coolant filters to the coolant distributors. The sheet metal enclosure is designed to have a one-piece front door so that you can inspect the machine or install the workpiece easily. For the sake of safety, the operator should open and close the front safety guard with both hands.

WARNING !!!

Ensure to close the one-piece front door before starting up the machine. The running machine will be stopped if the front door is opened in order to protect the operator from flying chips, spraying cutting coolant and running machine. Nevertheless, make sure the machine is full stopped before opening the door.

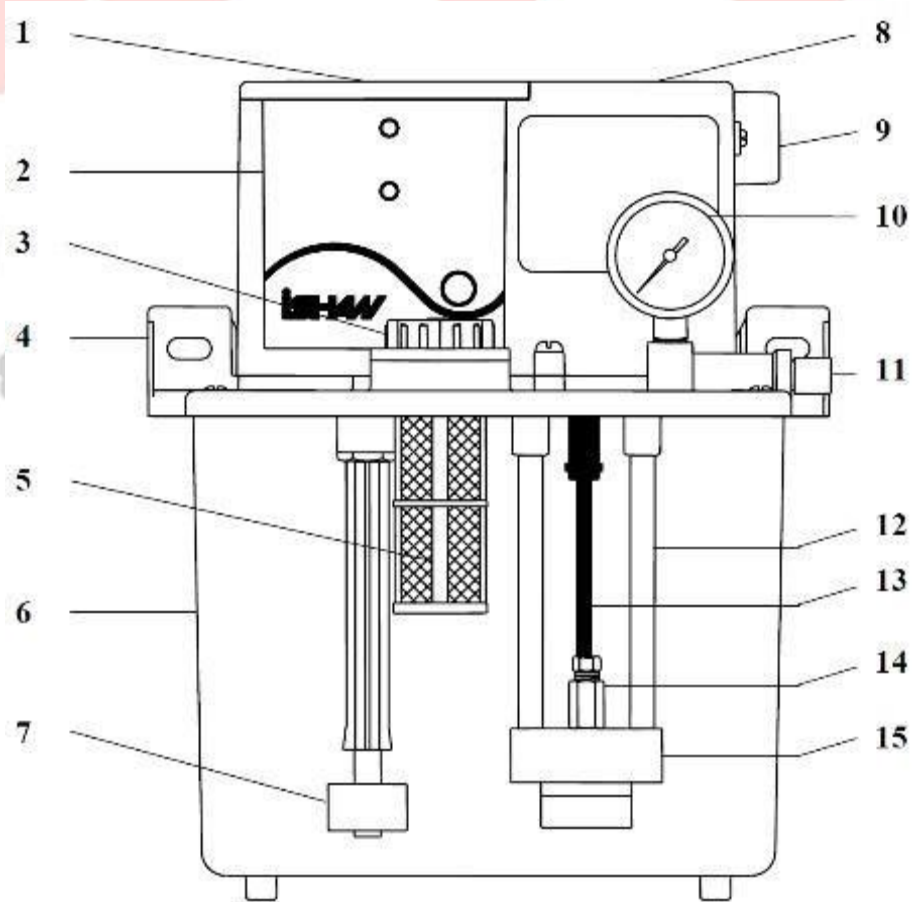


FULL ENCLOSED

5.7 LUBRICATOR

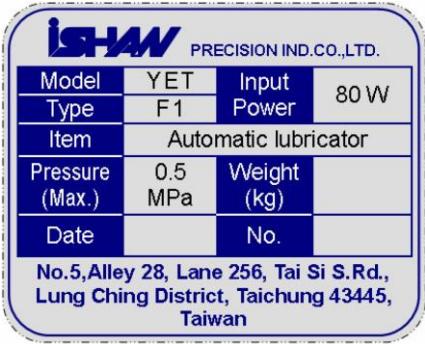
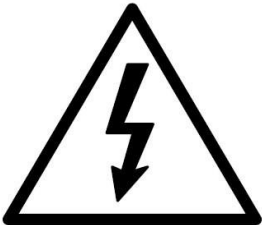

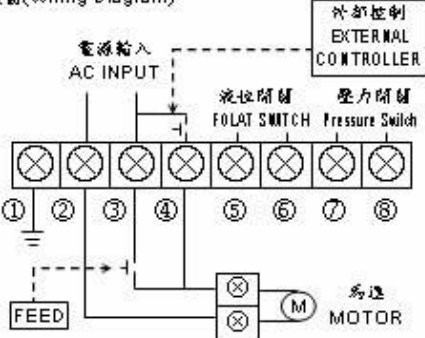

5.7.1 PARTS OF LUBRICATOR

- | | |
|-----------------------------------|----------------------------|
| 1. Electrical control box cover | 9. Beeper |
| 2. YET-F control box | 10. Pressure gauge |
| 3. Oil tank cap | 11. One-way elbow adapter |
| 4. Upper lid | 12. Lifting rod |
| 5. Inlet filter | 13. Shaft set |
| 6. Oil tank | 14. Pressure release valve |
| 7. Folat switch | 15. Gear Pump |
| 8. Electrical control box housing | |



(Fig.1)

5.7.2 LABEL

<p style="text-align: center;">Name Plate</p>	<p style="text-align: center;">Danger</p>
	
<p style="text-align: center;">Front side of the electrical control box</p>	<p style="text-align: center;">Outside of the electrical control box top cover</p>
<p style="text-align: center;">Wiring Diagram</p>	<p style="text-align: center;">Operation Notice</p>
	<p style="text-align: center;">YET-C/YET-F 操作說明(Operation Notice)</p> <p>一、安裝與使用(Installation & Usage)</p> <p>1. 接線圖(Wiring Diagram)</p>  <p>2. 輸出接點容量(Output Terminal) 液位開關(FLOAT SWITCH): 0.3A 壓力開關(PRESSURE SWITCH): 3A</p> <p>3. 開啟時間須為潤滑時間 5 倍以上。建議最短開啟時間為 3 分鐘。 The recommended intermittence should be set at least 5 times longer than the lubrication time. The recommended minimum intermittence is 3 minutes.</p> <p>二、注意事項(Remark)</p> <p>1. 適用油粘度範圍 30 ~ 150 cSt。 2. 產品型號無 P 碼者，無壓力開關。 產品型號有 P 碼者，有壓力開關。 3. 限用新油並請定期清理油路及濾網。 4. 本機台使用之直筒接頭為特殊零件，請勿自行更換。 5. 如對本注油機有任何疑難問題，請立即與本公司聯絡。</p> <p>1. Recommended Viscosity Range is 30 ~ 150 cSt. 2. The model number with P is equipped with pressure switch. The model number without P is NOT equipped with pressure switch. 3. New Oil for Lubricators ONLY. Clean the filter and the bottom of the tank periodically. 4. The elbow joint is a special part. It is NOT recommended to change the elbow joint of the lubricator by the user himself. 5. If any question about this lubricator operation, please contact us.</p>
<p style="text-align: center;">Inside of the electrical control box</p>	
<p style="text-align: center;">Notice</p>	
	
<p style="text-align: center;">Top right corner of the front side of the oil tank</p>	<p style="text-align: center;">Left side of the oil tank</p>

5.7.3 LUBRICANT FILLING

Remove the oil tank cap and fill the tank with clean lubricant at the level of 80% of the tank height (Fig. 3). Approved lubricant viscosity range is 30~150 cSt.

NOTE !!!

Viscosity higher than 150 cSt may result the burn down of the lubrication systems.

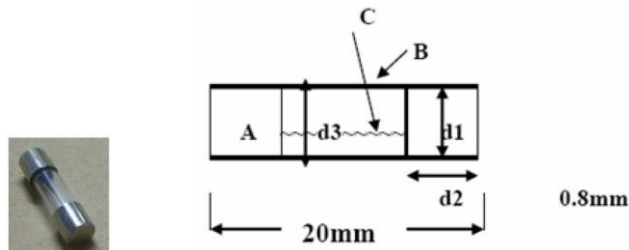


(Fig.3)

5.7.4 FUSE ON THE CONTROL BOARD

5.7.4.1 THE SPECIFICATION OF THE FUSE

1. TYPEK350204 glass tube fuse slow blow type 5.2*20.
2. Availabe rangeKFor protecting instruments, power supplies, computers, the related equipment of computers and telephone sets.
3. Shape & Size as following illustrationsK(UnitKmm)



- (a) Structure & shape KAs shown in above figure.
Body size of fuse KDia 5.2 mm * L 20mm.
- (b) Rated VoltageK250 V AC
- (c) Rated CurrentlK2A

- 4. Characteristics of Electrical AppliancesK
 - (a) Loading CapacityKLoading the 110% Listed Electrical Current (i.e. 2.2 A) for flowing,and it's available to let current keep on following without any melting.
 - (b) TemperatureKProceed the preceding test for 1.5 hours, keep testing it with the original current every 10 minutes. Continue to test it for 3 times. The temperature is not allowed to be higher. The main temperature rise is below 70K by way of Thermocouple Method, while it keeps below 50K by way of Thermocouple Method.
 - (c) Fuse current characterK

Rated Current	1.35 In	1.5 In	2 In	
100mA-10A	MAX.	MAX.	MIN.	MAX.
	60 MINUTE	NON	3 S	120 S

5.7.4.2 FUSE REPLACEMENT

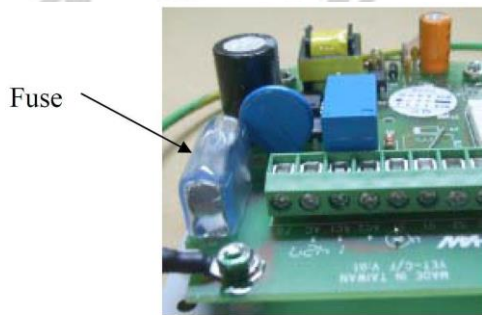
Make sure the power cable is disconnected before the fuse replacement. Remove the electrical control box cover and find the fuse (Fig. 7).

Remove the fuse protection cover (Fig. 8) and replace the fuse with the new one (Fig. 9). Fit-in the fuse cover and close the electrical control box cover.

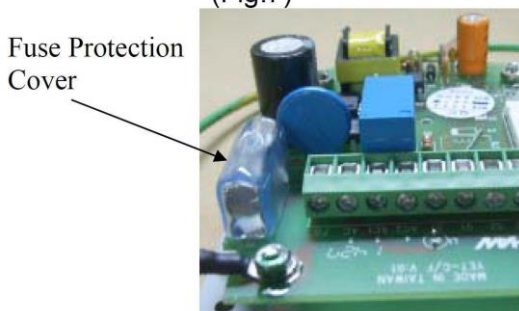
NOTE !!!

No contact with other components during the replacement.

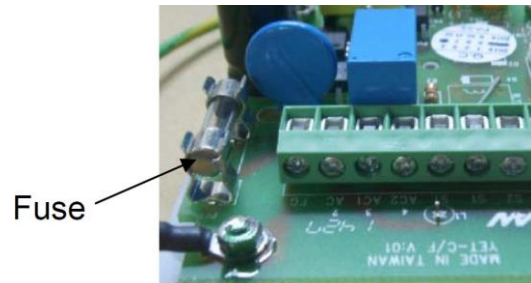
The fuse should be of the original parts. Please refer to 5.7.4.1 The Specification of the Fuse.



(Fig.7)



(Fig.8)



(Fig.9)

5.7.4.3 EXTRA FUSE FOR SPARE PARTS

One extra fuse for spare parts is attached inside the electrical control box.



(Fig.10)

5.7.5 LUBRICATOR MAINTENANCE

iSHAN centralized lubrication systems are of low maintenance. However, related connection needs to be reviewed if properly fitted to secure the proper function of the system. Please clean periodically the oil tank of iSHAN centralized lubrications. If the user wants to clean the bottom of the tank, please TURN OFF the system first and remove the bolts on the tank to separate the tank for cleaning. After cleaning the tank, please fasten the bolts to fix the tank. Please follow below requirementsK

- (a) ALWAYS Turn ON the power after more than 20 seconds of turning OFF to protect the lubricator.
- (b) It is prohibited for changing to non-original set-up to avoid malfunction.
- (c) The outlet of YET-F1 is a one-way adapter. It is prohibited to revise into other adapters.

CHAPTER 6

ADJUSTMENT

PLEASE READ CAREFULLY BEFORE ADJUSTMENT

OF THIS MACHINE

6.1 MECHANICAL ADJUSTMENT

Ensure to turn off the main power supply and put warning signs on visible spots before inspecting the belt tension. Do not touch or reach over the pulleys and the belts if the power is still on. Otherwise this might result in squeeze to wounded and disabled.

6.1.1 NOTICES

1. Check the pressure readings regularly to make sure all the system pressures setting are normal.
2. Observe regularly if there is any abnormal noise arising inside the rotating motors and other moving or rotating parts.
3. Moving or rotating parts are lubricated properly.
4. Ensure all the safety guards and safety equipment are installed properly.
5. Adjust the belt tension based on the tension value given in local agent.

Machine Tools

6.2 TRANSMISSION'S BELT TENSION

After the machine has been operated for a long period, the spindle drive-timing belt may gradually become loose. Check the main drive belt tension frequently.

6.2.1 SPINDLE TRANSMISSION'S BELT TENSION

Follow steps below to adjust the belt tension K

1. Make sure the power source has been disconnected before adjusting the timing belt tension.
2. Loosen the fastening screws (3) on the gearbox.
3. Adjust the belt tension properly by moving gearbox.
4. Tighten the fastening screws on the gearbox.

6.2.2 MOTOR TRANSMISSION'S BELT TENSION

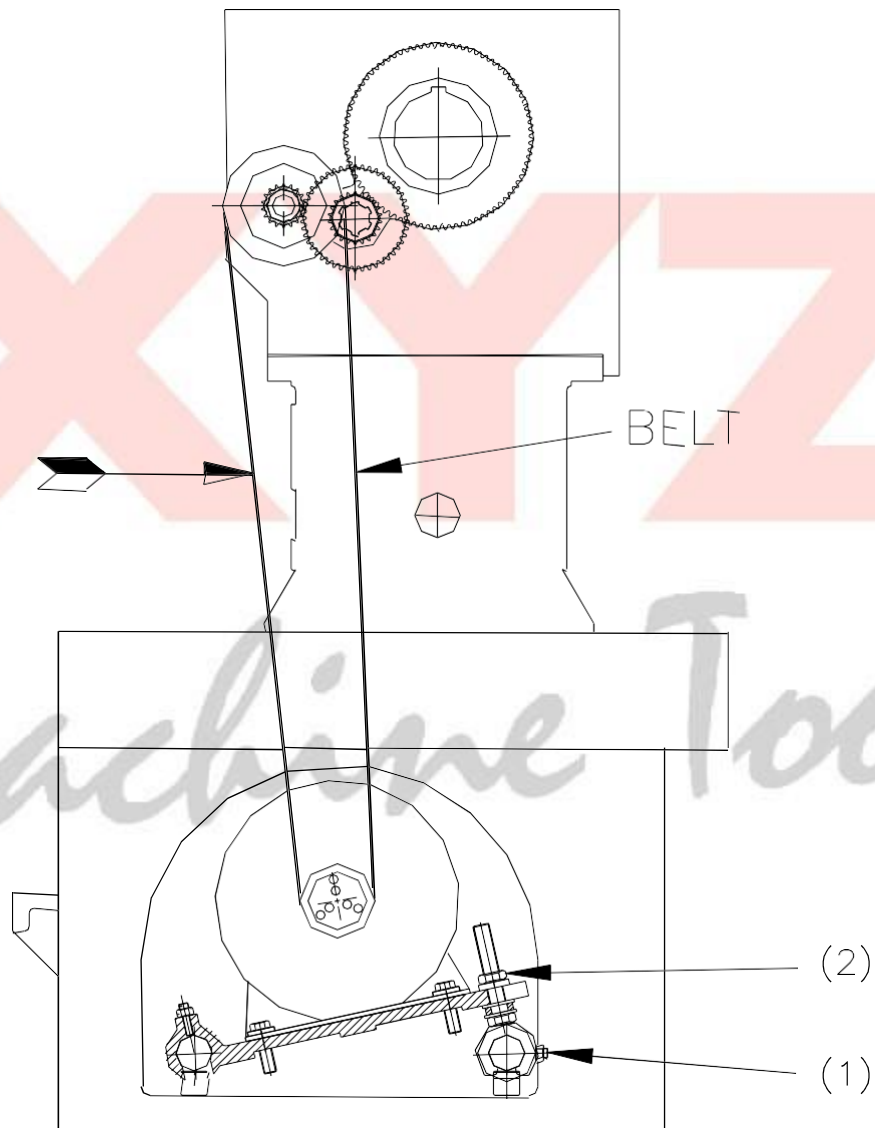
Follow steps below to adjust the belt tension:

1. Make sure the power source has been disconnected before adjusting the timing belt tension.
2. Loosen the fastening screws (1) on the motor stand and the nut of adjust bolt (2).
3. Adjust the belt tension properly by tightening the belt.
4. Tighten the nut of adjust bolt.
5. Tighten the fastening screws on the motor stand.

WARNING !!!

Ensure to have a proper tension value for the spindle transmission belt. If you can not ensure the proper tension value, please do not adjust the belt tension.

6.2.3 SPINDLE TRANSMISSION'S BELT



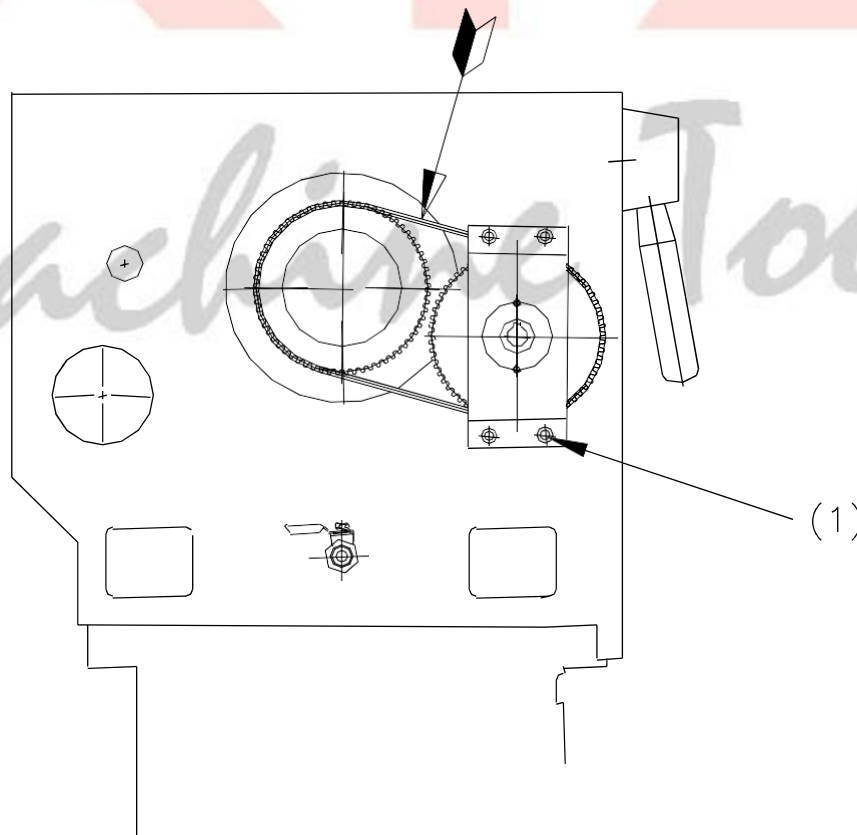
6.2.4 SPINDLE POSITIONING BELT TENSION

Follow steps below to adjust the belt tensionK

1. Make sure the power source has been disconnected before adjusting the timing belt tension.
2. Loosen the 4 fastening screws (1).
3. Adjust the belt tension properly by tightening the belt.
4. Tighten the fastening screws.

WARNING !!!

Ensure to have a proper tension value for the spindle transmission belt. If you can not ensure the proper tension value, please do not adjust the belt tension.

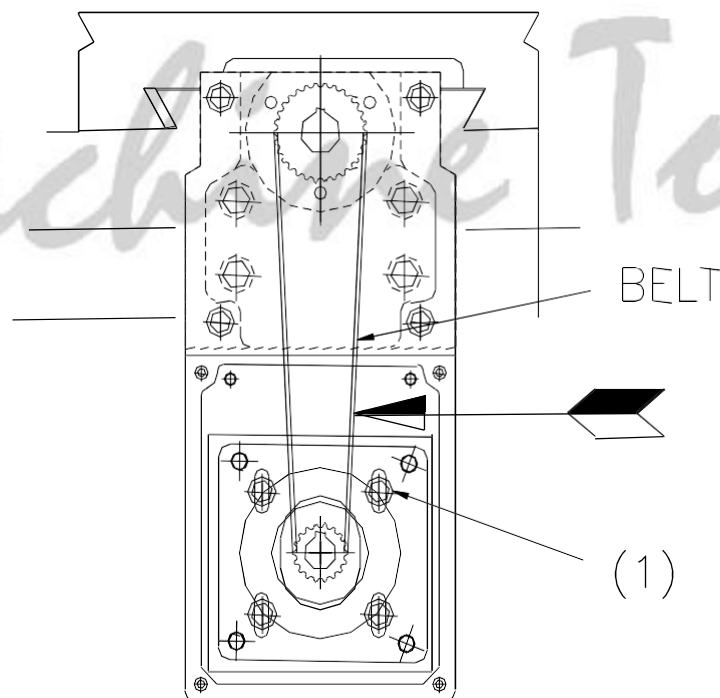


6.2.5 X AXIS TRANSMISSION'S BELT TENSION

1. Make sure the power source has been disconnected before adjusting the timing belt tension.
2. Remove the cover on the X-axis bracket.
3. Loosen 4 fastening screw (1).
4. Adjust the belt tension properly by tightening the belt.
5. Tighten the fastening nut of adjust bolt.

WARNING !!!

Ensure to have a proper tension value for the spindle transmission belt. If you can not ensure the proper tension value, please do not adjust the belt tension.

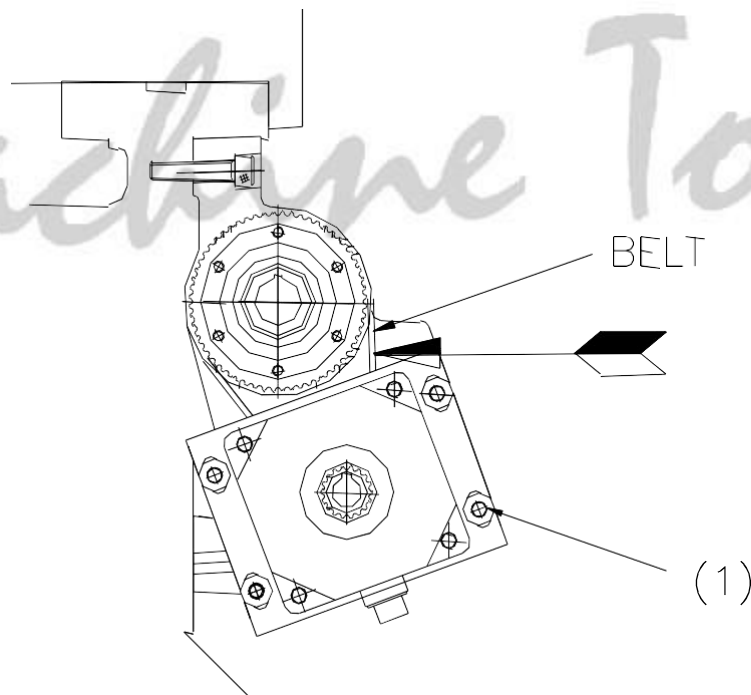


6.2.6 Z AXIS TRANSMISSION'S BELT TENSION

1. Make sure the power source has been disconnected before adjusting the timing belt tension.
2. Remove the cover for Z-axis AC servomotor.
3. Loosen 4 fastening screw(1).
4. Adjust the belt tension properly by tightening the belt.
5. Tighten the fastening screw.

WARNING !!!

Ensure to have a proper tension value for the spindle transmission belt. If you can not ensure the proper tension value, please do not adjust the belt tension.



6.3 GIB ADJUSTMENT

Because of long-term friction between the bed and carriage, wear may occur. Proper gib adjustment is necessary after the machine has been operated for a long time.

6.3.1 ADJUST SADDLE GIB (Z AXIS)

Make gib adjustment as per the following proceduresK

1. Loosen the gib setting screw (2).
2. Adjust the gib by turning the gib adjustment screw (1) using a flat head screwdriver, and try to feel if the carriage moves smoothly.
3. Reverse the above procedures after gib adjustment has been made.
4. Tighten the setting screw (2) properly.

6.3.2 ADJUST CROSS SLIDE GIB (X AXIS)

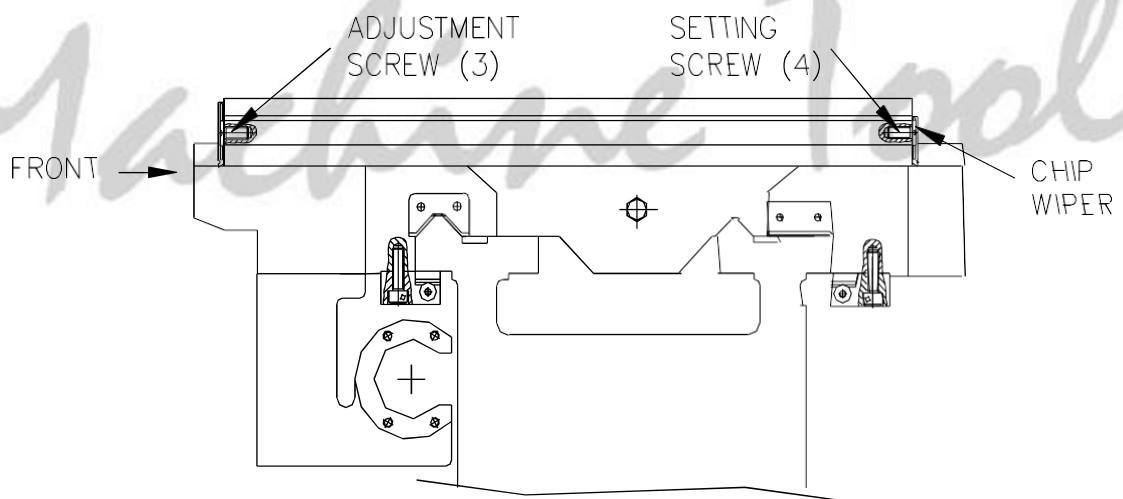
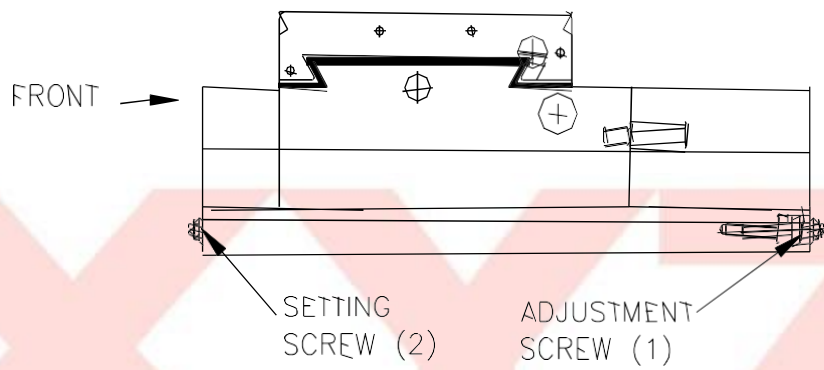
Make gib adjustment as per the following proceduresK

1. Remove the chip wiper on the cross slide to expose the gib adjustment screw and setting screw.
2. Loosen the gib setting screw (4).
3. Adjust the gib by turning the gib adjustment screw (3) using a flat head screwdriver, and try to feel if the cross slide moves smoothly.
4. Reverse the above procedures after gib adjustment has been made.
5. Tighten the setting screw (4) properly.

WARNING !!!

Ensure to adjust gib frequently and properly. Otherwise might result the machine out of accuracy.

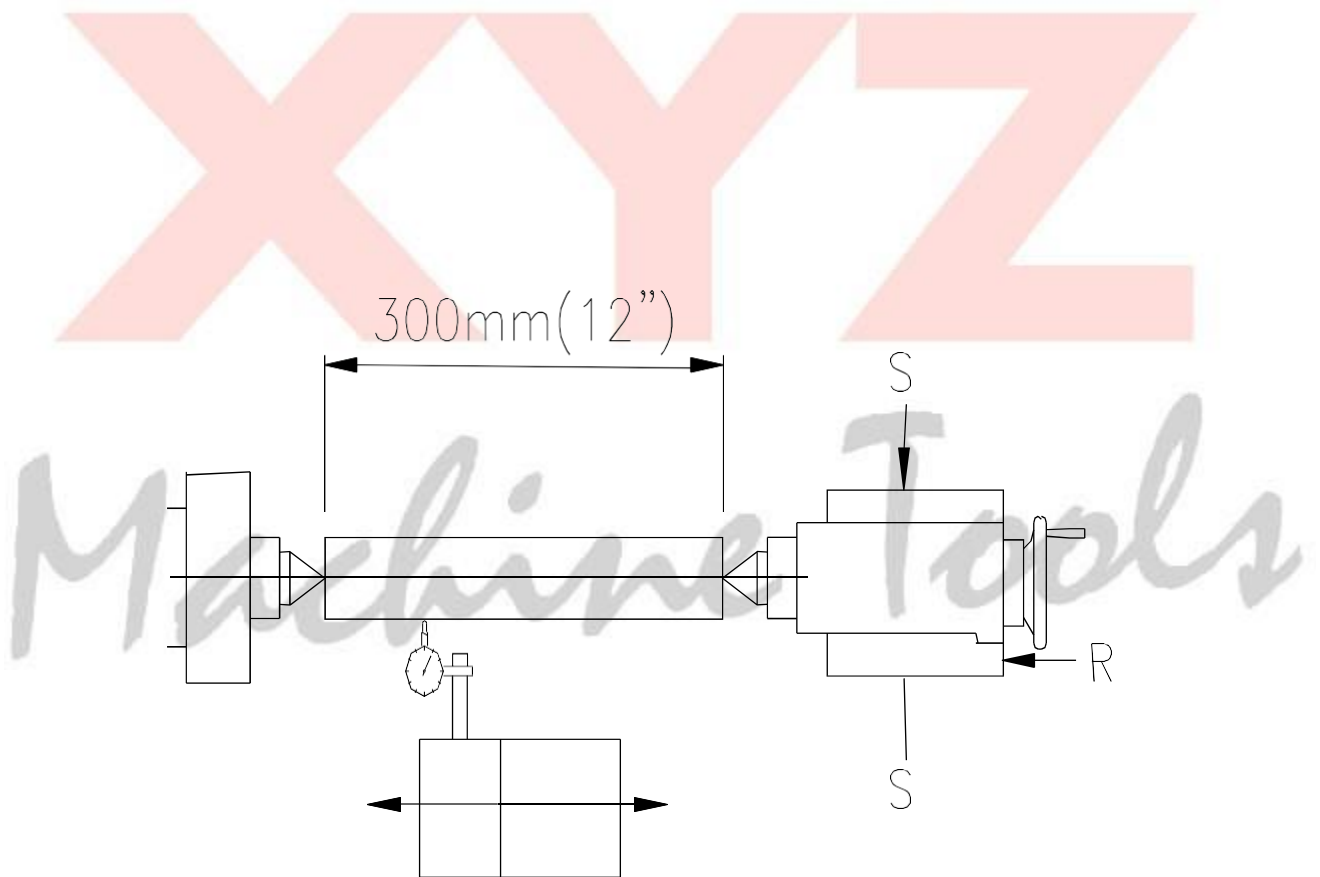
6.3.3 GIB ADJUSTMENT



6.4 TAILSTOCK ADJUSTMENT

6.4.1 TAILSTOCK CHECK

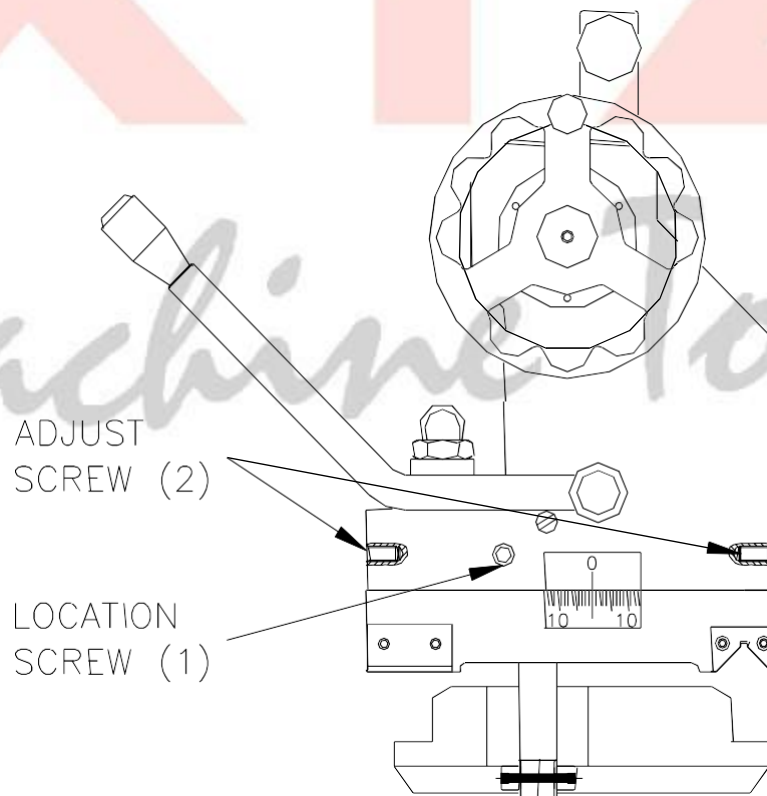
Using a 300mm (12") long ground steel bar mounted between center, check the alignment by traversing a dial test indicator along the centerline of the bar. To correct any error first release the tailstock clamp levers, slacken the rear locating screw (1) and then adjust the screws (2) on each side of the tailstock body laterally. Recheck alignment.



6.4.2 TAILSTOCK SET-OVER

The tailstock can be set over for the production of shallow tapers or for re-alignment. Set over adjustment as per the following proceduresK

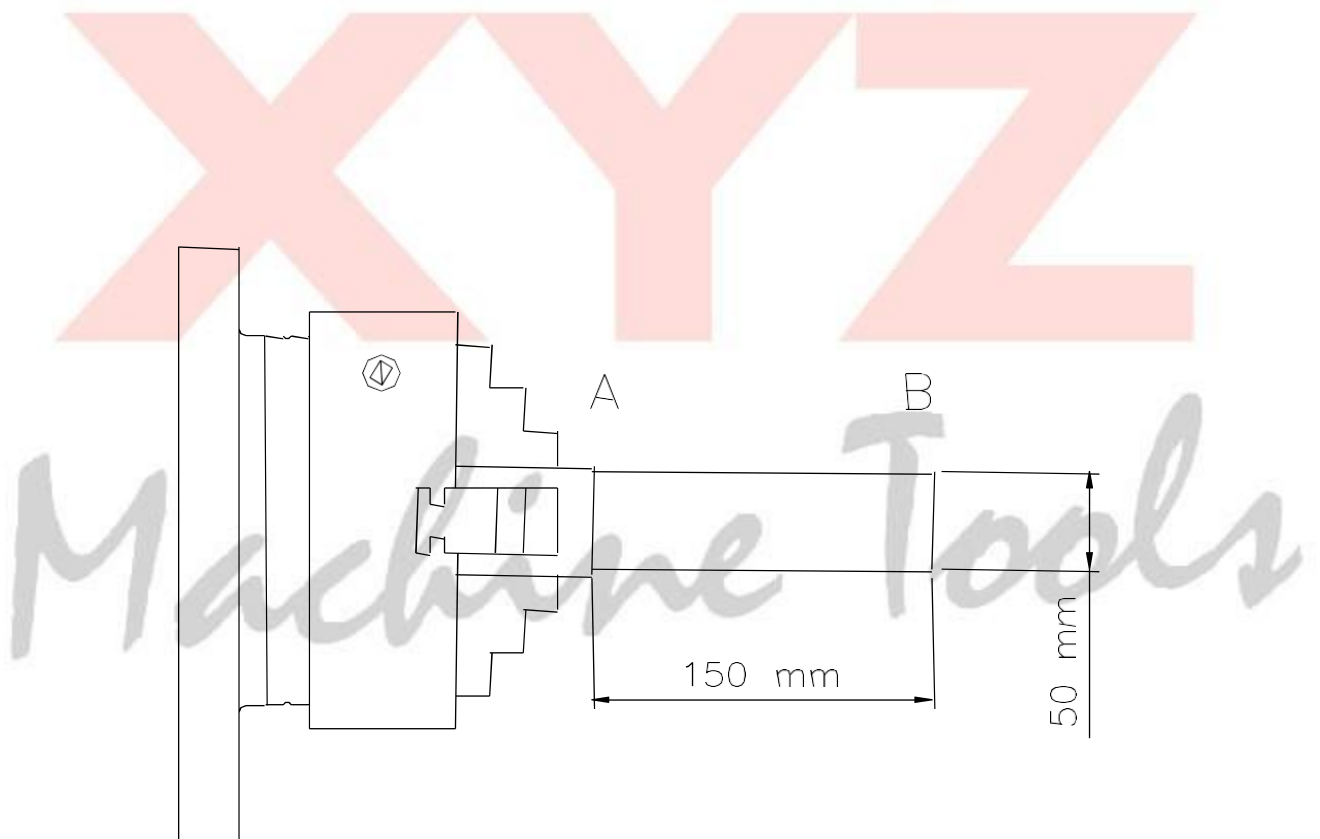
1. Unclamp all tailstock clamping lever.
2. Loosen rear location screw (1) one turn.
3. Adjust screw (2) at each side of base by loosening one and tightening the other to laterally move the tailstock across the base.
4. Re-tighten the rear location screw.



6.5 HEADSTOCK ADJUSTMENT

6.5.1 HEADSTOCK ALIGNMENT CHECKS

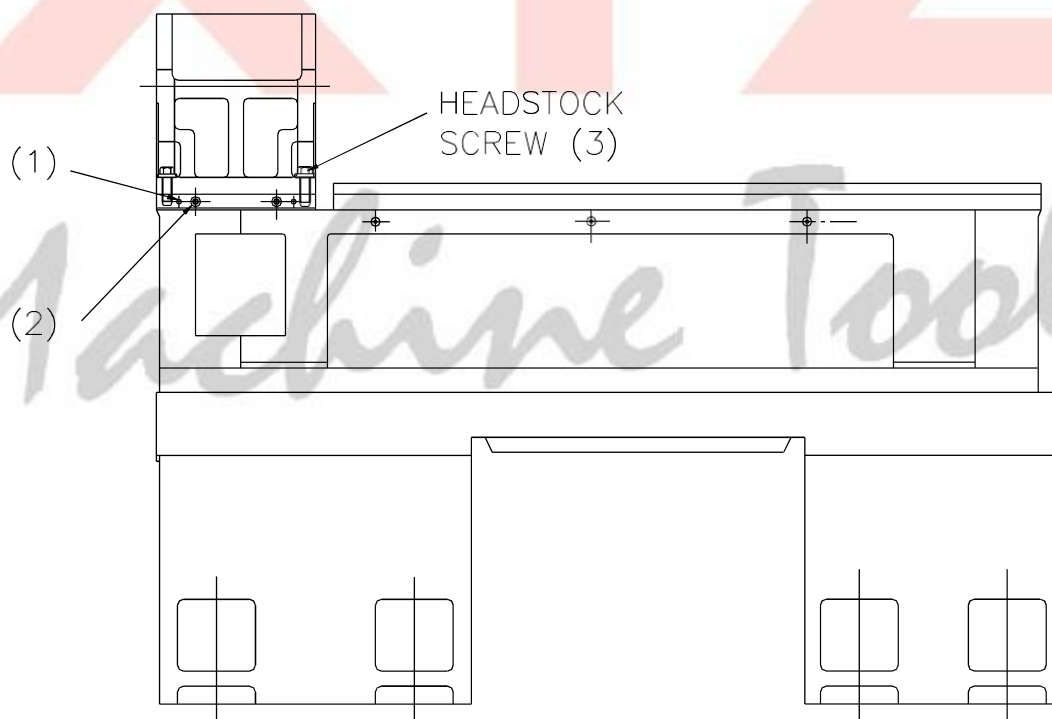
Take a light over a 150mm (6") length of 50mm(2") diameter steel bar held in a chuck (but not supported at free end). Micrometer readings at each end of the turned bar A and B should be within 0.02 mm(0.0008").



6.5.2 HEADSTOCK ALIGNMENT CHECKS

Align headstock as per the following procedures:

1. Loosen 4 fastening headstock screw (3) and fastening screw (1).
2. Adjust screw (2) at each side of base by loosening one and tightening the other to laterally move the headstock within tolerance.
3. Re-tighten the fastening screw (1).
4. Re-tighten the 4 fastening headstock screw (3).



6.6 REMOVE/REFIT GAP PIECE

6.6.1 REMOVE GAP PIECE

Remove the gap piece as per the following procedures:

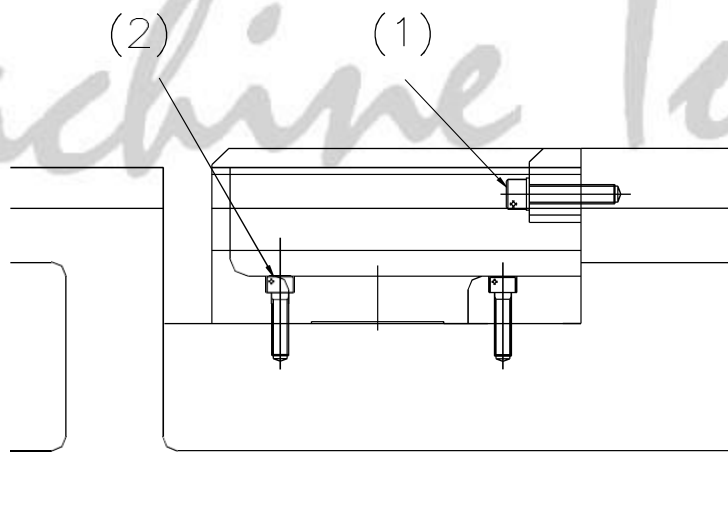
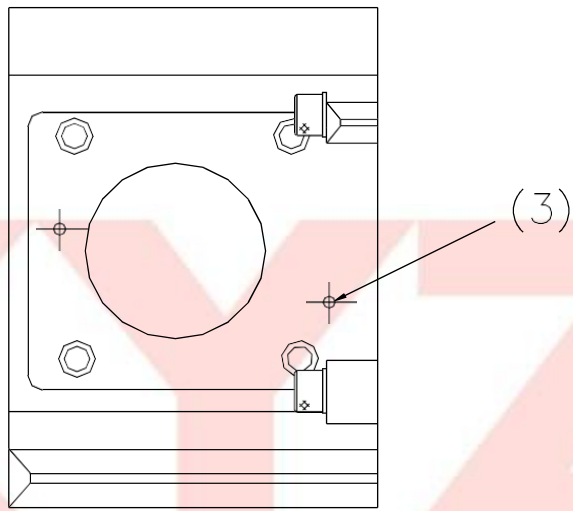
1. Clean area around gap.
2. Remove check or any work holding.
3. Release 6 fastening screws (1) and (2).
4. Carefully remove the gap piece avoiding damaging the ballscrew and gap piece mating surfaces.

6.6.2 REFIT GAP PIECE

Refit the gap piece as per the following procedures:

1. Clean area around gap.
2. Ensure machine is level and all mating surfaces are clean.
3. Carefully slide gap piece back into position and lightly put fastening screws back.
4. Align the ways by hand and lightly tap the gap with a hide hammer.
5. Finally, position the gap by fitting back 2 position pin (3).
6. Tighten 6 fastening screws (1) and (2)

6.6.3 REMOVE/REFIT GAP PIECE



XYZ

This page is intentionally left blank.

Machine Tools

CHAPTER 7

MACHINE MAINTENANCE

PLEASE READ CAREFULLY BEFORE MAINTENANCE

ON THIS MACHINE

Machine Tools

7.1 PREPARATION BEFORE MAINTENANCE

1. Fully Understand all the safety instructions illustrated in the manual.
2. Always maintain the machine under the foreman's instruction.
3. Prepare all the necessary spare parts, such as washer, O ring, seal, etc., in advance.
4. Fully understand all the maintenance procedures written in the maintenance manual.
5. Follow the maintenance procedures and be sure to establish the maintenance records after work.

7.2 LUBRICATION SYSTEM

Running conditions of this machine depend heavily on the lubrication management. Ensure to check the lubrication system frequently to keep this machine in a good service condition. The followings describe how to lubricate various machine parts properly. Recommended lubrication oil used in the pneumatic system, lubrication grease and cutting coolant are listed in the oil guide table.

7.2.1 WARNING SYSTEM FOR THE CENTRALIZED LUBRICATION SYSTEM

A warning system is designed to notify users of checking and filling up the slideway lubrication system. The lubrication frequency has been set by factory. Please make sure it is better for machine if you change the lubrication frequency.

Please fill the oil tank with oil immediately when the warning alarm message is shown on the control. The warning alarm will be continuing if the warning status is not released even though the power is turned off / on. Ensure to check the centralized lubrication system weekly at least, and fill up the tank if necessary. Recommended lubrication oil is listed in the oil guide table.

WARNING!!!

If there is a lack of oil, please fill the oil tank with oil immediately.

7.3 LUBRICATION

7.3.1 LUBRICATION FOR THE X AND Z AXIS BEARINGS

Grease is used to lubricate bearings of X-axis and Z-axis. The recommended grease (Nbu 15) could be used in high working temperature conditions. It has a good abrasive property and does not changed.

7.3.2 LUBRICATION FOR THE X AND Z AXIS BALLSCREWS

The cross-saddle, saddle are traveled along the X and Z directions respectively. Either the X-axis or Z-axis movement is driven by an AC servo motor via the connection of a coupling and a ballscrew. All the ballscrews are pre-tensioned and lubricated with proper oil to avoid positioning error resulting from thermal deformation.

7.3.3 LUBRICATION FOR THE SPINDLE SYSTEM

1. Grease is used to lubricate spindle bearings. The recommended grease (Nbu 15) could be used in high working temperature conditions. It has a good abrasive property, and does not changed.
2. Ensure to maintain an adequate lubrication cooling oil in the cooling system. Fill it up if necessary.
3. The spindle cooler (optional equipment) used to cool the spindle bearing to prevent the spindle system from thermal deformation.

7.3.4 THE OIL GUIDE TABLE (v2.7)

7.3.4.1 OIL GUIDE TABLE A (For all machine type)

Lubricant Position	Lubrication Tank Slideway and Ballscrew	Cutting Coolant	
Lubricant Characteristic	<ul style="list-style-type: none"> 2Viscosity ISO VG68 2Anti-wear, Extreme-pressure 	<ul style="list-style-type: none"> 2Good Heat conduction 2Good lubricant performance 	
Lubrication Method	Centralized Lub	Circulating Lub	
Replace& add Period	Daily As needed	As needed	
Tank Capacity	3 Liters	100 Liters 3Depend on Model	
Recommended Grade of Oil	<ul style="list-style-type: none"> 2BP Macurrat D 68 2Mobil Vactra No.2 2Shell Tonna S2 M68 2BECHEM Staroil CGLP 68 MF 	<ul style="list-style-type: none"> 2CPC Cutting Oil 31C 2Shell Dromus B or Macron 32 2BECHEM AVANTIN 	

**** This is recommended that use ISO68 grade of oil for Slideway and Ballscrew if this machine is located in a plant with ambient temperature of under 25 ° C.

7.3.4.2 OIL GUIDE TABLE D (FOR LATHES)

Lubricant Position	Gearbox Lubricat	Chuck Grease	Quill Lubricat
Lubricant Characteristic	<ul style="list-style-type: none"> 2Viscosity ISO VG68 2Anti-rust, anti-oxidation 2Good Stability 	<ul style="list-style-type: none"> 2NLGI #2 2Drop point >17>K 2Solid LubricantK MoS2 	<ul style="list-style-type: none"> 2Viscosity ISO VG32 2Anti-wear, Extreme -pressure
Lubrication Method	Circulating Lub	Centralized Lub	Centralized Lub
Replace& add Period	Half year(first time) One year	Twice Daily	Twice Daily
Tank Capacity	↗Depend on Model	---	---
Recommended Grade of Oil	<ul style="list-style-type: none"> 2BP Energol GR-XP 68 2Mobil Gear XMP 68 2Shell Omala 68 2Chevron Ultra Gear 68 2BECHEM Staroil G 68 2CPC HD68 	<ul style="list-style-type: none"> 2BP Energrease L21 M 2Mobil XHP 322 special 2Shell Gadus S3 V460D 2 2Chevron Molytex EP2 2BECHEM Highlub FA 40 MO 	<ul style="list-style-type: none"> 2BP Energol NT32 2Mobil Vactra No.2 2Shell Tonna T32 2Chevron Way Lubricant ISO 32 2BECHEM Staroil CGLP 32 MF
Lubricant Position	Hydraulic Tank	Tailstock Way	Air Assisted Tailstock
Lubricant Characteristic	<ul style="list-style-type: none"> 2Viscosity ISO VG32 2Anti-rust, anti-oxidation 2Good Stability 	<ul style="list-style-type: none"> 2Viscosity ISO VG32 2Anti-wear, Extreme-pressure 	<ul style="list-style-type: none"> 2Viscosity ISO VG32 2Anti-rust, anti-oxidation 2Good Stability
Lubrication Method	Circulating Lub	Centralized Lub	Centralized Lub
Replace& add Period	Half year(first time) One year	As needed (Depend on status)	Once Weekly As needed
Tank Capacity	↗Depend on Model	---	---
Recommended Grade of Oil	<ul style="list-style-type: none"> 2BP Energol HLP 32 AW 2Mobil DTE Light 2Shell Tellus 32 2Chevron Hydraulic Oil AW32 2BECHEM Staroil NR 32 	<ul style="list-style-type: none"> 2BP Energol NT32 2Mobil Vactra No.2 2Shell Tonna T32 2Chevron Way Lubricant ISO 32 2BECHEM Staroil CGLP 32 MF 	<ul style="list-style-type: none"> 2B.P Energol HLP 32 AW 2Mobil DTE Light 2Shell Tellus 32 2Chevron Hydraulic Oil AW32 2BECHEM Staroil NR 32

WARNING!!!

Ensure to use the recommended fluids as listed in the oil guide table.

7.4 THE MACHINE MAINTENANCE

Ensure to turn off the main power switch, the power switch of the machine panel and main power circuit breaker and put “**Under maintenance, Do not touch any power switch**” warning signs on visible spots before starting the maintenance work.

7.4.1 NOTICES

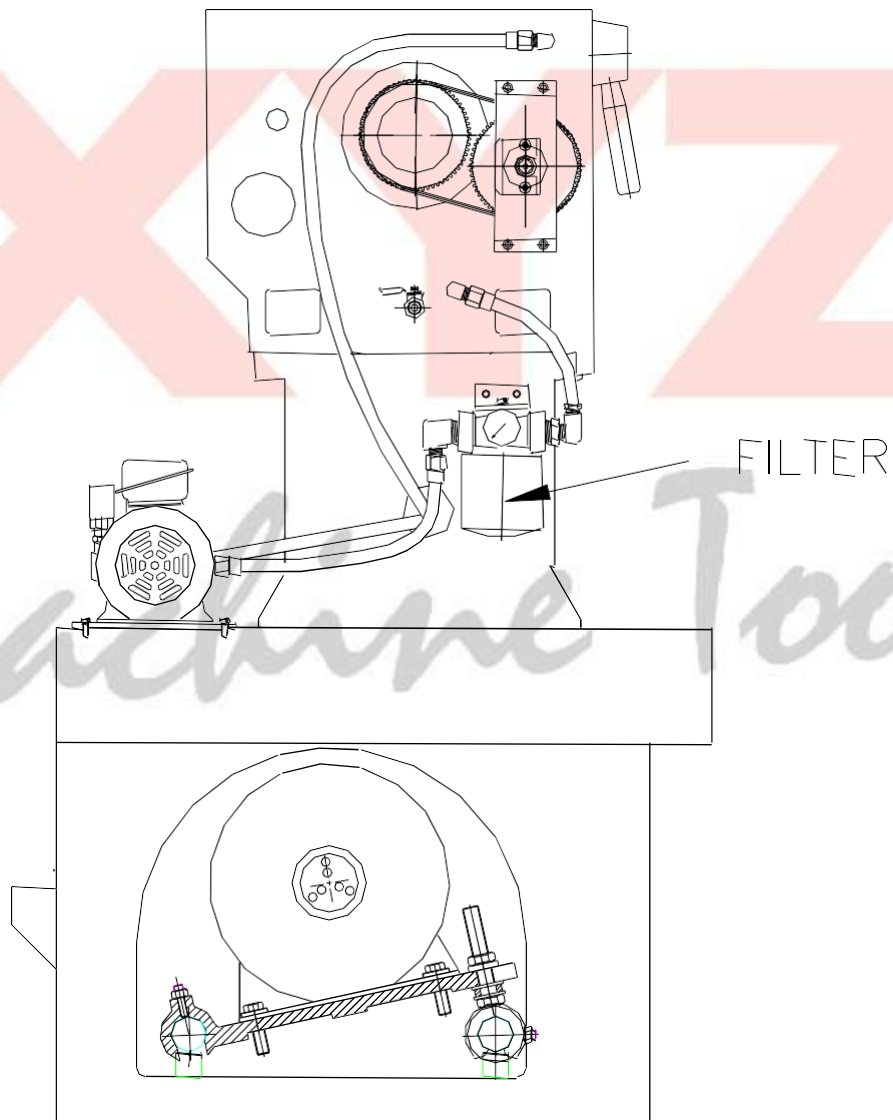
1. Only qualified engineers are allowed to maintain or install the electrical equipment.
2. Do not remove or alter any over-traveling limit switch and related mechanical parts without permission.
3. Always use ladders when working in the high place.
4. Ensure all the appliances, such as fuse, cable, etc., are reliable.

7.4.2 CLEANING RULE

1. Ensure to clean up the anti-rust treatment with the kerosene or the diesel on the contact surfaces of the moving machine parts. Don't clean up the anti-rust solvent on other places than where mentioned above.
2. Do not clean the machine with organic solvent.
3. Do not use compressed air to remove the dust on the machine, which might damage surfaces among sliding parts.
4. Remove all the anti-moisture substances placed inside the enclosures.
5. Always clean up the working area and machine after the maintenance job is done. Keep the machine and work area neat, clean, dry and orderly.
6. Remove all the garbage and leftover after the maintenance work is done.
7. Always keep the maintenance records and inspection results.
8. Report to our local dealer or us if any abnormal condition was found during maintenance. Do not disassemble the machine by yourself.

7.4.3 FILTER OF HEADSTOCK LUBRICATION SYSTEM

There is a filter within the headstock lubrication system. The headstock lubrication system will be failed if it is dirty. It is necessary to be changed when it is dirty. It is recommended that the filter element should be replaced when it is dirty or every year at least.



7.5 PREVENTIVE MAINTENANCE

To keep the machine in good service conditions, please follow the procedures below to maintain the machine.

7.5.1 DAILY MAINTENANCE

1. Check to see if the oil quantity in the automatic lubricator is sufficient.
2. Check to see if the cutting fluid quantity in the fluid tank is sufficient.
3. Clean up the machine and working area after finishing the work. Ensure to put a layer of rust-prevent oil on those exposed sliding surfaces.
4. Turn the power source switch off when you finish the work.
5. Release the water accumulated in the air filter cap.
6. Remove chips from the machine every day after job is finished.
7. Check the spindle taper bore after finishing the machining. Clean up the spindle taper bore with the spindle taper bore cleaner, as illustrated in the following chapter.
8. Stop the machine immediately and find out sources of the problems if any part of the machine is overheated.
9. Stop the machine immediately and fix the problems before resuming the machine if any electrical part, such as the connector, switch, electrical socket and electrical wire, is out of order.
10. Ensure there is no abnormal noise occurs when the machine is running.

7.5.2 WEEKLY MAINTENANCE

1. Ensure all the pumps work well.
2. Ensure the automatic station disc turret could be operated smoothly.

7.5.3 MONTHLY MAINTENANCE

1. Check gibs on the bed and cross slide. If necessary, adjust gibs according to the instructions in “**GIB ADJUSTMENT**” .
2. Clean the cutting fluid pipes and lubrication oil pipes.
3. Clean the cutting fluid tank.
4. Check ball screws and clean them.
5. Ensure any nuts and screws are locked.
6. Clean or replace the filter screen for coolant pump.

7.5.4 HALF-YEARLY MAINTENANCE

1. Ensure the spindle run out and bearing clearance are within the specified precision's.
2. Ensure all the electrical parts, such as connectors, switches, cables, are in normal service conditions.
3. Check out all the insulation resistors. Ensure to keep a record.
4. Check the precision of automatic station disc turret.

7.5.5 YEARLY MAINTENANCE

1. Ensure the push buttons and switches on the control panels work properly.
2. Remove all the carbon deposited on the electrical relay points, then clean all the electrical relay points with alcohol liquid.
3. Clean up the cutting oil tank, then fill up the tank with recommended oil.
4. Clean up the hydraulic system, including the oil tank, and refill the oil tank. Ensure all the setting pressure are normal.
5. Check the machine leveling and adjust if necessary.
6. Replace the lubrication oil in the headstock.
7. Check the alignment accuracy between the spindle center and tailstock center.
8. Check all electric wire connections for looseness.
9. Replace the filter of Headstock lubrication system.

7.6 HOW TO ORDER REPLACEMENT PARTS

1. Quote components part number and description, against each part's illustration for all component parts required.
2. Some parts are standard items, which can generally be purchased locally- e.g. nuts, bolts, screws, washers, etc.
3. Always quote the machine serial number in all parts orders or technical inquiries. This number can be found at the nameplate at the machine bed.

CHAPTER 8



APPENDIX

Machine Tools

8.1 TROUBLE SHOOTING

8.1.1 TABLE A

PROBLEM	PROBABLE CAUSES	CORRECTION
MACHINE START FAILURE	<ol style="list-style-type: none"> 1. Fuse in control circuit burnt out 2. Incorrect power source 3. Overload thermal relay tripped 	<ol style="list-style-type: none"> 1. Replace 2. Correct it 3. Reset
INSUFFICIENT POWER OR MOTOR OVERHEATING	<ol style="list-style-type: none"> 1. Less phase running 2. Overload cutting 3. Poor magnetic contractor 	<ol style="list-style-type: none"> 1. Correct 2. Reduce load 3. Replace
TOOL CHATTERING	<ol style="list-style-type: none"> 1. Workpiece not clamped securely 2. Improper tool type or material 	<ol style="list-style-type: none"> 1. Clamp it securely 2. Use correct tool only
NO LUBRICANT DELIVERY	<ol style="list-style-type: none"> 1. Lubrication pump failed 2. Lack of oil 3. Filter clogged 	<ol style="list-style-type: none"> 1. Check and correct it 2. Fill up oil 3. Clean it

Machine Tools

8.1.2 TABLE B (FOR LUBRICATOR)

Problem	Diagnostics	Troubleshooting
Indication light does not work	Power cable is not connected	Check the power cable
	Indication light fails to work	The repair needs to be done by authorized personnel.
	Incorrect power connection to burn out the inside wiring.	Check if power cable is connected in mistake or incorrect power input.
	Impermissible lubricant to cause the motor burned down.	Replace with a new motor and revise to the lubricant of suitable viscosity 30~150cSt.
	The broken control board	Replace a new control board. The repair needs to be done by authorized personnel.
Indication light is ON but no lubricant is discharged from the system	Insufficient lubricant	Refill the tank
	Float switch fails to work	Replace with a new float switch. The repair needs to be done by authorized personnel.
	Motor fails to work.	Replace with a new motor. The repair needs to be done by authorized personnel.
	Incorrect input power at low voltage	Ensure the input power
	Oil suction set is blocked.	Clean the suction set
	Impermissible lubricant	Revised to the lubricant of suitable viscosity 30~150cSt.
Leaking at the connection of the pipe and the lubricator	Incorrect installation	The pipe must be inserted into the compression sleeve and at least 1mm over the end of the compression sleeve further into the adapter.
No lubricant discharging when pushing FEED button.	1. Incorrect wiring or input power	Check the wiring diagram and the input power.
	2. Insufficient lubricant (Abnormality Indication light become RED)	Refill the tank
	3. The fuse of the control board is broken (Indication light does not work when the power is connected).	Replace the fuse of the control board
	4. The control board is damaged (If all the checking shows normal, the control board could be broken)	Replace with a new motor. The repair needs to be done by authorized personnel.

Problem	Diagnostics	Troubleshooting
Motor runs but no lubricant is discharged at the lubrication points	Disassemble the pipe connecting with the output bore and check if the lubricant is discharged from the lubricator.	
	If YES, the lubricator is at normal condition.	The piping layout could be plugged or broken. Find out and replace the part of the pipe with problem.
	If NO, the problem is at the lubricator. The causes could be:	
	1. Air in the pipe	Please disassemble the pipe connecting with the output bore and keep the motor running for minutes to discharge the air in the pipe. Assemble again when the lubricant is discharging
	2. Jammed gear pump	The gear pump could be jammed because of dirty lubricant. The repair needs to be done by authorized personnel
3. The motor runs but not in normal condition.	Replace with a new motor. The repair needs to be done by authorized personnel.	

WARNING !!!

- (a) Only original iSHAN centralized lubrication systems spare parts are used for iSHAN centralized lubrication systems. It is prohibited to change to non-original spare parts.
- (b) **TURN OFF** the power before any checking or maintenance. Faults / Fault finding.
- (c) If the lubricator is sent to repair, please ensure the lubricant is completely removed to protect the electronics from the remainder of lubricant.



Working on products that have not been disconnected from the power supply can cause serious injury or death to persons. Installation, maintenance, and repair work may only be carried out by qualified experts on products that have been disconnected from the power supply. The supply voltage must be turned off before any product components are open.

8.2 ISO METRIC THREAD DATA

O. Dia.	Core Dia.	Pitch	Depth	Flat	Effective	Tapping	Clear
3.0	2.3866	0.5	0.3067	0.0625	2.675	2.5	3.1
4.0	3.1412	0.7	0.4294	0.0875	3.545	3.3	4.1
5.0	4.0184	0.8	0.4908	0.1	4.48	4.2	5.1
6.0	4.7732	1.0	0.6134	0.125	5.35	5.0	6.1
8.0	6.4664	1.25	0.7668	0.15625	7.188	6.8	8.2
10.0	8.1596	1.5	0.9202	0.1875	9.026	8.5	10.2
12.0	9.8530	1.75	1.0735	0.21856	10.836	10.2	12.2
16.0	13.5462	2.0	1.2269	0.25	14.701	14.0	16.25
20.0	16.9328	2.5	1.5336	0.3125	18.376	17.5	20.25
22.0	18.9328	2.5	1.5336	0.3125	20.376	19.5	22.25
24.0	20.3194	3.0	1.8403	0.375	22.051	21.0	24.25
30.0	25.7060	3.5	2.147	0.4375	27.727	26.5	30.5

Machine Tools

XYZ

This page is intentionally left blank.

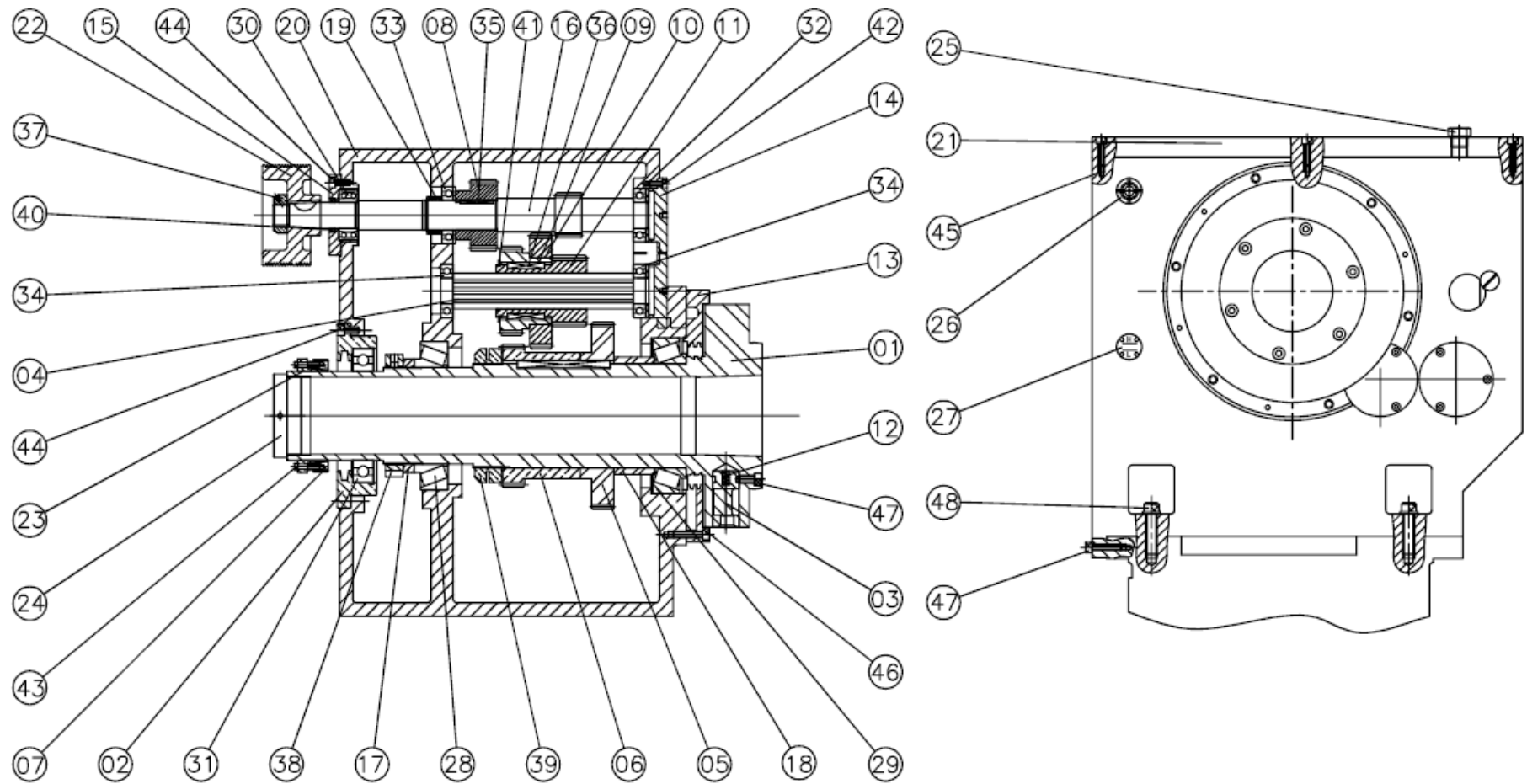
Machine Tools

CHAPTER 9



PARTS LIST

Machine Tools



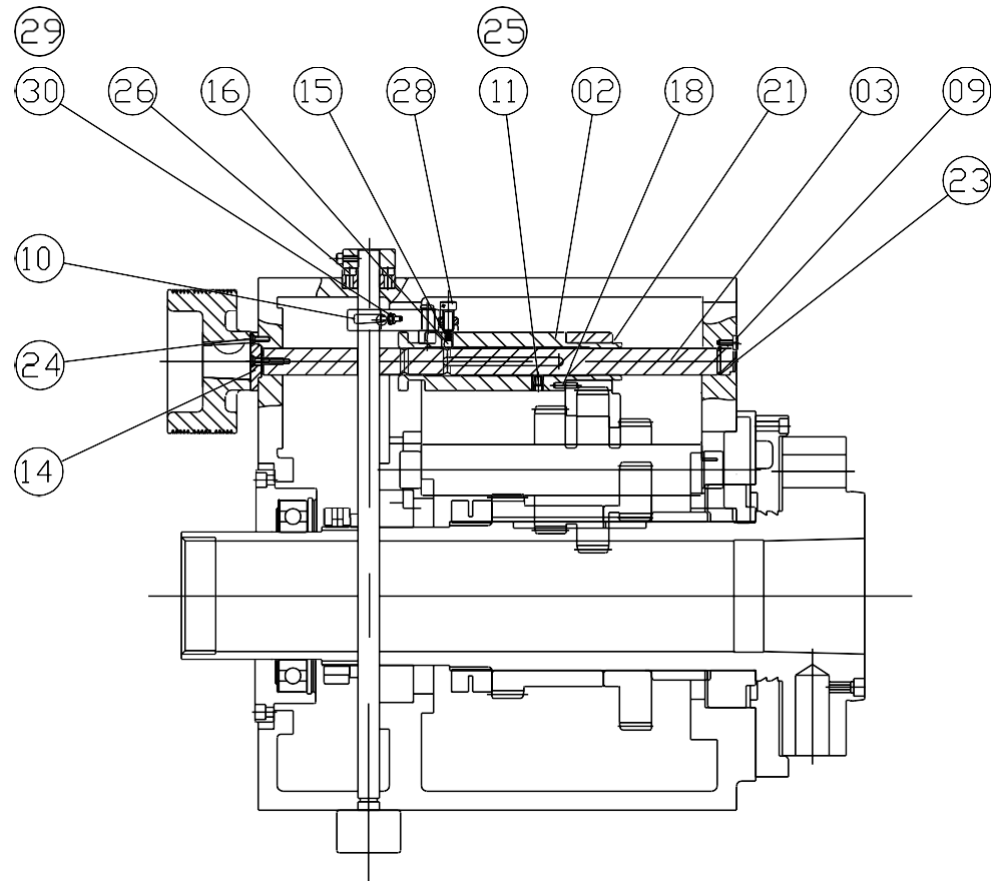
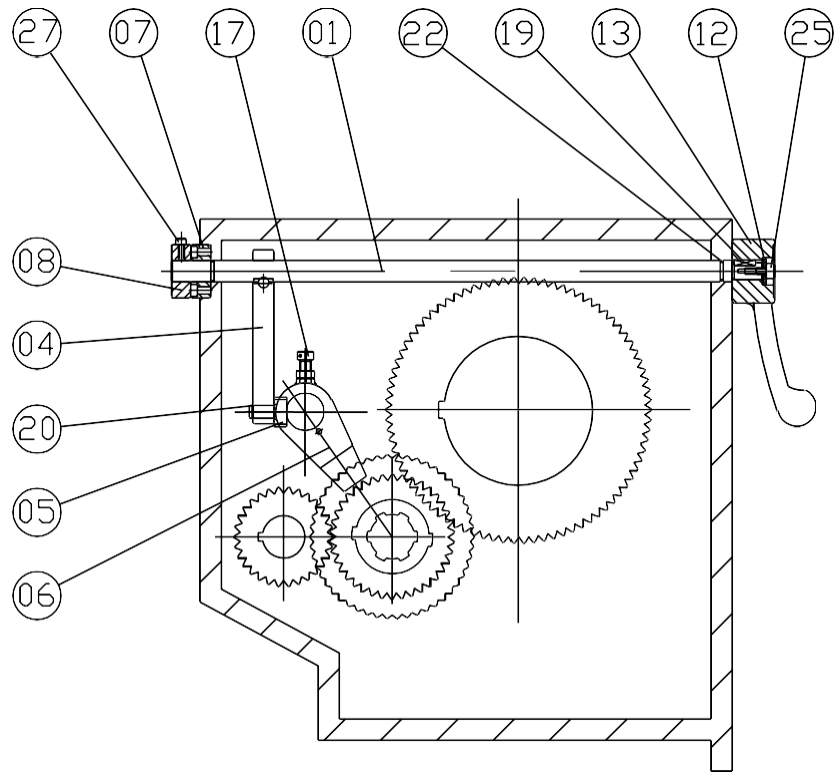
Spindle Drive Assembly

Spindle Drive Assembly

No.	Part Number	Description	Specification	XYZ Part No
1	LG010030	SPINDLE		17667
2	LG010040	REAR COVER		POA
3	LG010050	CAMLOCK		15047
4	LG010060	SLIDE SHAFT		11627
5	LG010070	GEAR		11544
6	LG010080	GEAR		Incl with 11544
7	LG010090	BELT GEAR		POA
8	LG010100	GEAR		11545
9	LG010110	GEAR		Incl with 11627
10	LG010120	GEAR		Incl with 11627
11	LG010130	GEAR		11548
12	KR010170	SPRING		4151
13	LG010180	FRONT COVER		POA
14	LG010220	COVER		POA
15	LG010230	COVER		POA
16	LG010240	SHAFT DRIVE		Incl with 11545
17	LG010270	SPACER		POA
18	LG010280	SPACER		POA
19	LG010290	SPACER		POA
20	LG010300	HEAD		POA
21	LG010310	HEAD COVER		POA
22	LG010400	SPINDLE DRIVE PULLY		10642
23	LG010560	TAPER LOCK COLLAR		POA
24	LG010720	PLASTIC COVER-SPINDLE		13227
25	KR010740	SET BOLTS		POA
26	KR530070	OIL SCALE	VO-29	4204
27	KR530080	OIL SCALE	VH-29	4205
28	AB32026	BEARING	32026	1583
29	AB32028	BEARING	32028	1586
30	AB5207	BEARING	5207	11400
31	AB6024	BEARING	6024	8620
32	AB6207	BEARING	6207	4168
33	AB6208	BEARING	6208	11629
34	AB6306	BEARING	6306	11630
35	AK0807045	KEY	8x7x45mm	13326
36	AK120850	KEY	12x8x50mm	13327
37	ANN215028	LOCK NUT	YSF M28x1.5	17122
38	ANN220130	LOCK NUT	YSF M130x2.0	POA

Spindle Drive Assembly

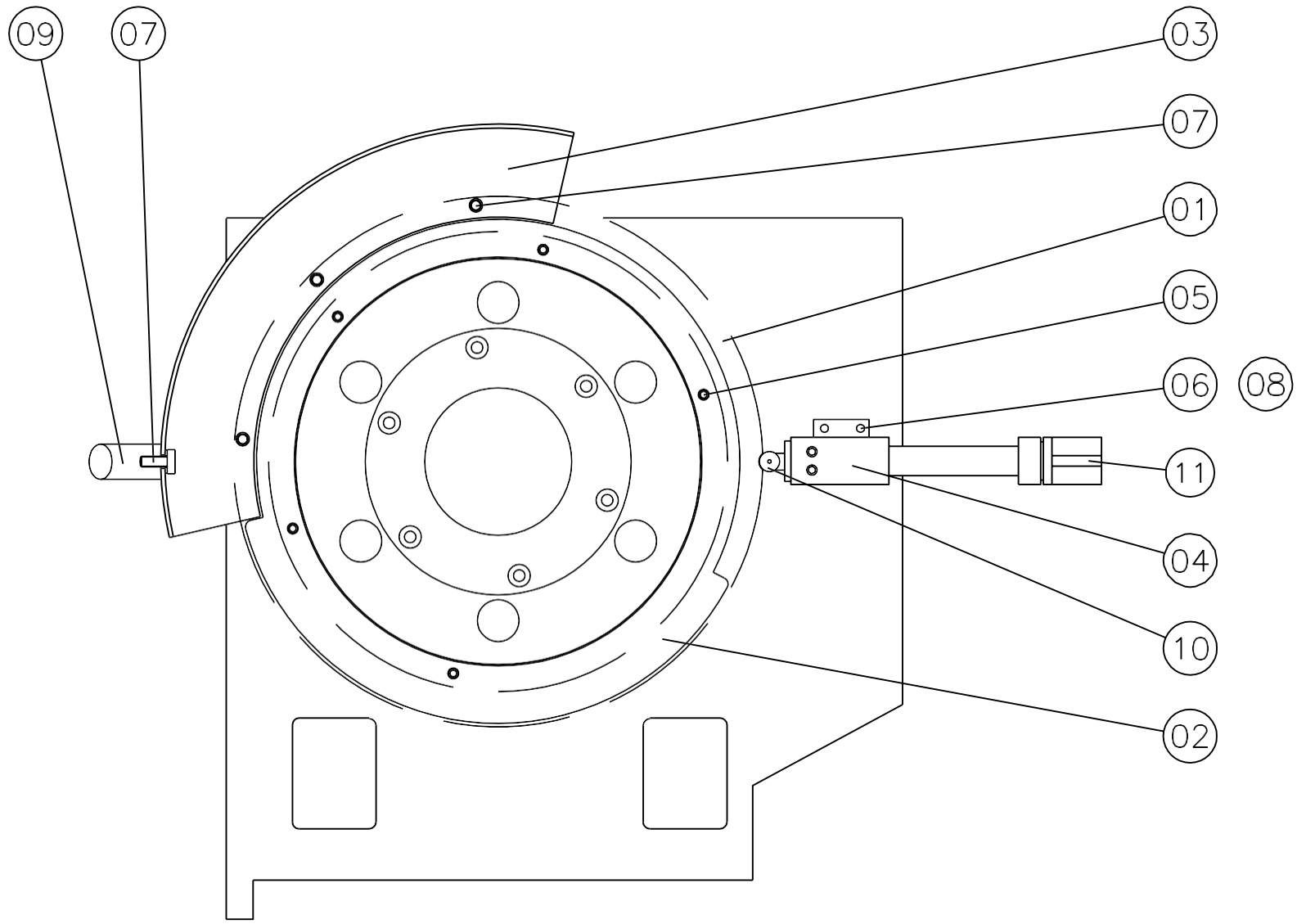
No.	Part Number	Description	Specification	XYZ Part No
39	ANN220140	LOCK NUT	YSF M140x2.0	POA
40	AOS354507	OIL RING	35x45x7mm	13324
41	ARS12570	RETAINING RING	70x2.5t	13325
42	ASM606020	HEXAGON SOCKET CAP HEAD SCREW	M6x1.0x20L	POA
43	ASM606030	HEXAGON SOCKET CAP HEAD SCREW	M6x1.0x30L	POA
44	ASM608020	HEXAGON SOCKET CAP HEAD SCREW	M8x1.25x20L	POA
45	ASM608030	HEXAGON SOCKET CAP HEAD SCREW	M8x1.25x30L	POA
46	ASM608045	HEXAGON SOCKET CAP HEAD SCREW	M8x1.25x45L	POA
47	ASM610025	HEXAGON SOCKET CAP HEAD SCREW	M10x1.5x25L	POA
48	ASM616055	HEXAGON SOCKET CAP HEAD SCREW	M16x2.0x55L	POA
49				
50				
51				
52				
53				
54				
55				
56				
57				
58				
59				
60				
61				
62				
63				
64				
65				
66				
67				
68				
69				
70				
71				
72				
73				
74				
75				
76				



Speed Selector Assembly

Speed Selector Assembly

No.	Part Number	Description	Specification	XYZ Part No
1	LG010330	SHAFT		POA
2	KR010340	SLIDE SHAFT		4670
3	LG010350	SHAFT		POA
4	LG010370	SWING ARM		14331
5	KR010380	CATCH BLOCK		4672
6	LG010390	SWING ARM		16311
7	KR010420	SHAFT COLLAR		4673
8	KR010430	STOP COLLAR		4674
9	KR010440	ADJUSTING SCREW		4675
10	LG010450	FIXED PIN		POA
11	KR010460	DOG SCREW	M10x10	5740
12	KR010480	SPACER		4677
13	KR010500	SPEED SELECTOR LEVER		4678
14	KR010620	REAR COVER		4679
15	KR010730	SPRING		4680
16	KR010750	BALL		4681
17	KR010770	ADJUSTING SCREW		4683
18	KR010780	FIXED PIN	5x15mm	4684
19	KR520020	KEY	5x5x20mm	3893
20	KR520070	RETAINING RING	S12	4865
21	KR520080	RETAINING RING	S35	4203
22	AOR250016	OIL RING	∅2.5x∅16	POA
23	AOR250021	OIL RING	∅2.5x∅21	POA
24	ASM306020	FLAT HEAD SCREW	M6x20	POA
25	ASM410010	HEADLESS HEAD SCREW	M10x10	POA
26	ASM606016	HEX SOCKET CAP HEAD SCREW	M6x16	POA
27	ASM606020	HEX SOCKET CAP HEAD SCREW	M6x20	POA
28	ASM610025	HEX SOCKET CAP HEAD SCREW	M10x25	POA
29	AWMT01006	BRIGHT WASHER	M6	POA
30	ANM110006	NUT	M6	POA
31				
32				
33				
34				
35				
36				
37				
38				

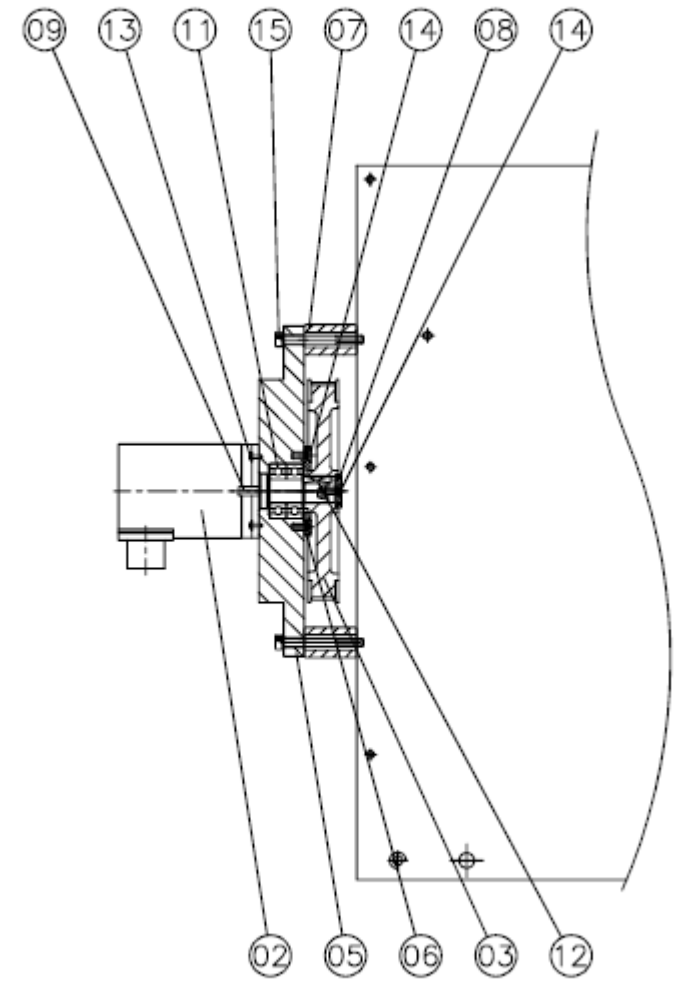
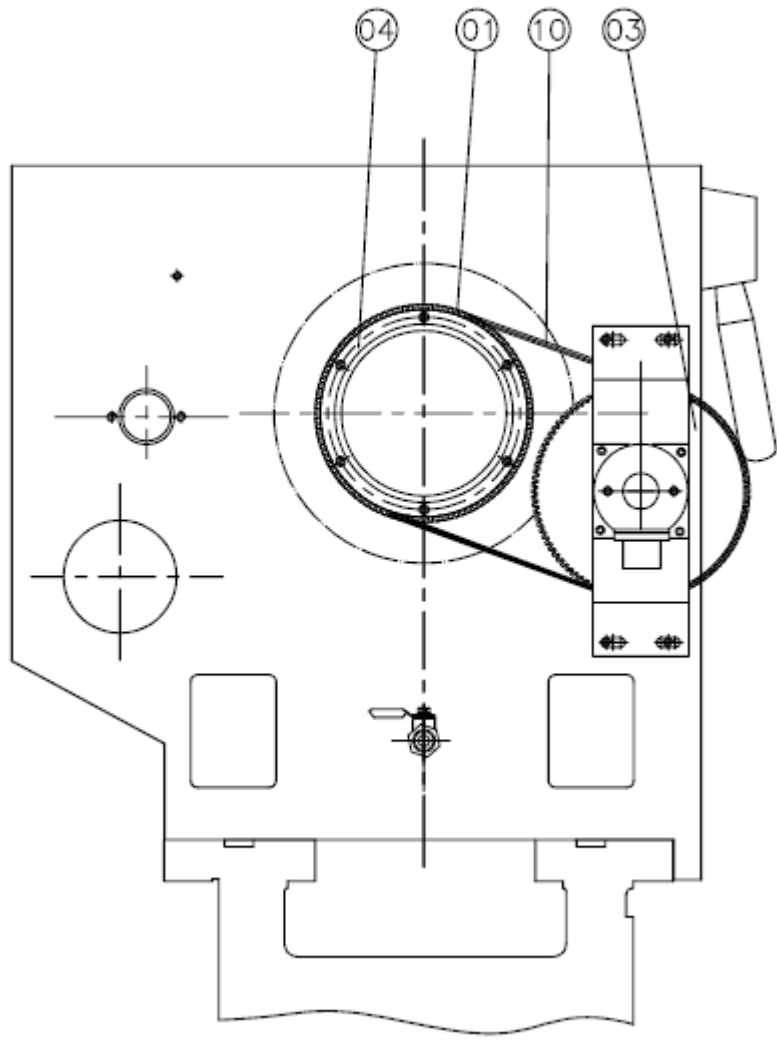


Chuck Cover Assembly

H03-1

Chuck Cover Assembly

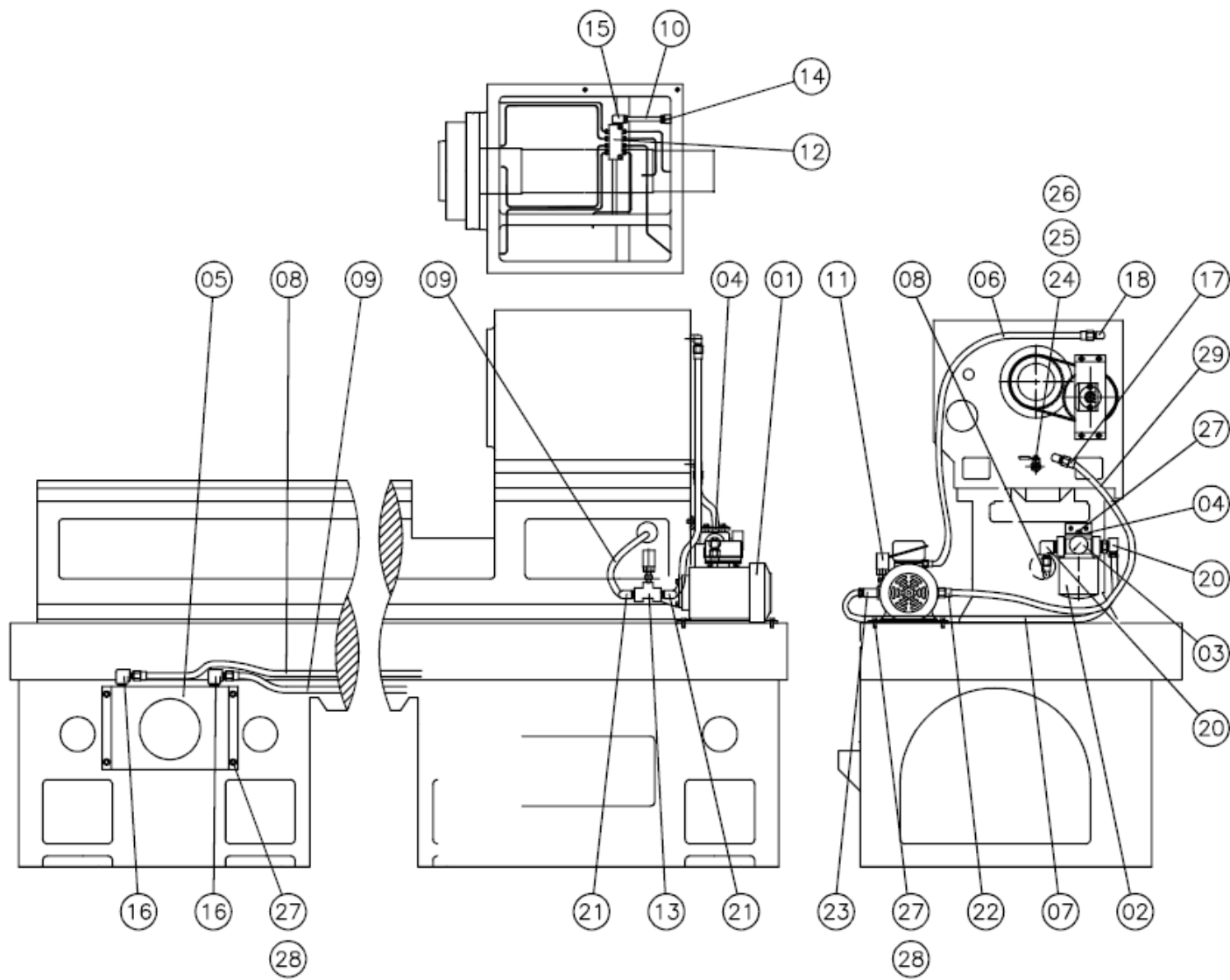
No.	Part Number	Description	Specification	XYZ Part No
1	LG010510	CHUCK COVER		15460
2	LG010660	LIMIT COLLAR		15461
3	LG400590	CHUCK COVER		POA
4	KR400600	LIMIT SWITCH BASE		POA
5	ASM105008	BUTTON HEAD CAP SCREW	M5x8	POA
6	ASM605014	HEXAGON SOCKET CAP HEAD SCREW	M5x14	POA
7	ASM608012	HEXAGON SOCKET CAP HEAD SCREW	M8x12	POA
8	AWMT01005	BRIGHT WASHER	M5	POA
9	KR570030	HANDLE	140mm	4810
10	KR570100	LIMIT SWITCH		3351
11	KR570180	PLASTIC ELBOW		POA
12				
13				
14				
15				
16				
17				
18				
19				
20				
21				
22				
23				
24				
25				
26				
27				
28				
29				
30				
31				
32				
33				
34				
35				



Encoder Assembly

ENCODER ASSEMBLY

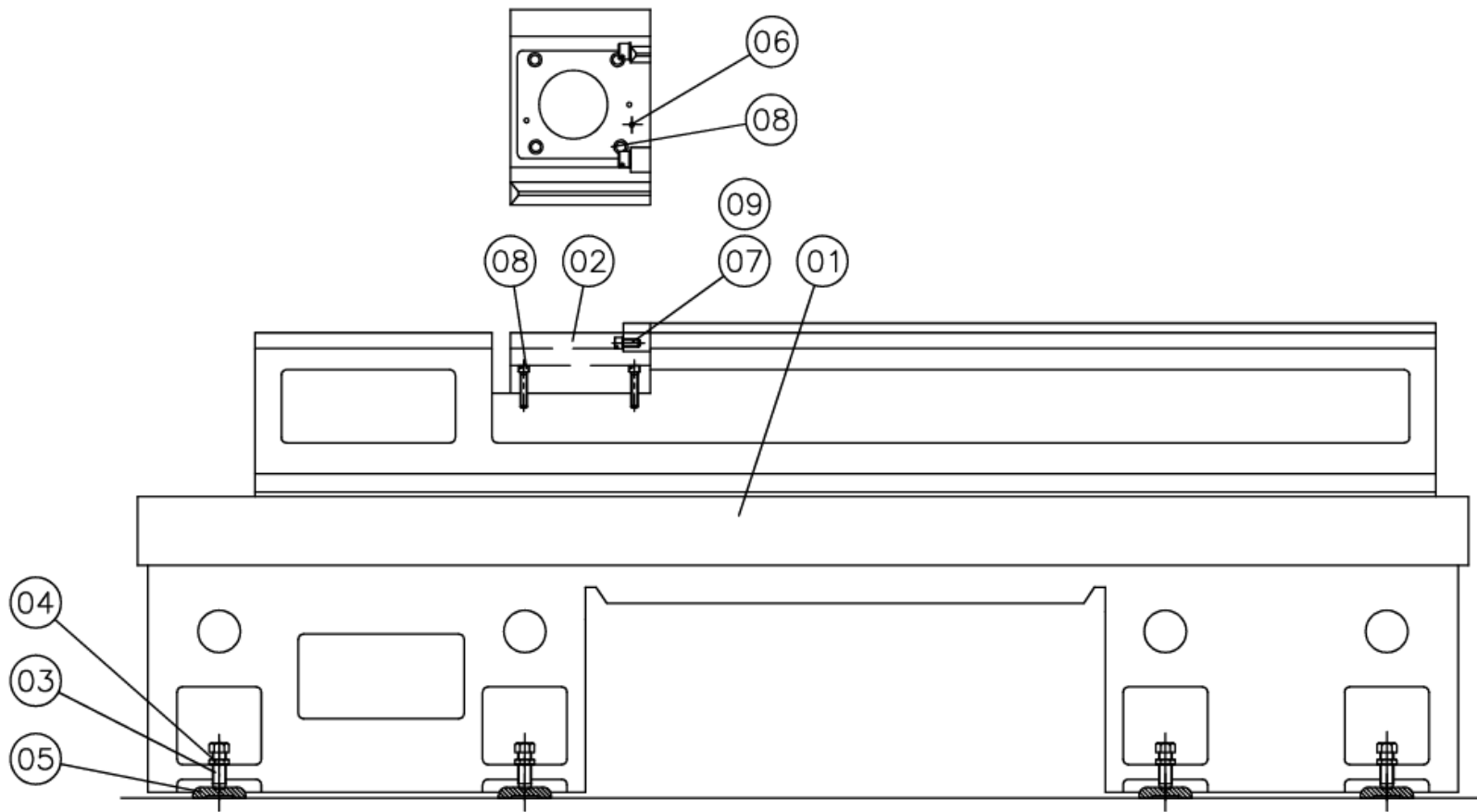
No	Part Number	Description	Q'ty	Remarks	XYZ Part No
1	LG010090	GEAR	1		POA
2	KR010530	ENCODER	1		POA
3	LG010551	GEAR	1		POA
4	LG010560	TAPER LOCK COLLAR	1		POA
5	LG010570	BRACKET	1		POA
6	KR010580	COVER	1		POA
7	KR010591	CIRCULAR CYLINDER	4		POA
8	KR010601	SPACER	1		POA
9	KR010611	SHAFT	1		POA
10	LG010640	BELT	1	HTD-5M-830-15	10353
11	AB620300N	BEARING	2	6203 with two cover	758
12	AK0505012	KEY	1	5x5x12mm	POA
13	ASM305012	FLAT HEAD SCREW	3	M5x12L	POA
14	ASM605018	HEXAGON SOCKET CAP HEAD SCREW	1	M5x18L	POA
15	AWMS01005	BRIGHT WASHE	1	M5	POA
16	ASM606055	HEXAGON SOCKET CAP HEAD SCREW	4	M6x55L	POA
17	AWMT01006	BRIGHT WASHE	4	M6	POA
18		SHAFT LOCKING DEVICES	1	17x21x6.3t	
19					
20					
21					
22					
23					
24					
25					
26					
27					
28					
29					
30					
31					
32					
33					
34					
35					
36					



Head Lubrication Assembly

Head Lubrication Assembly

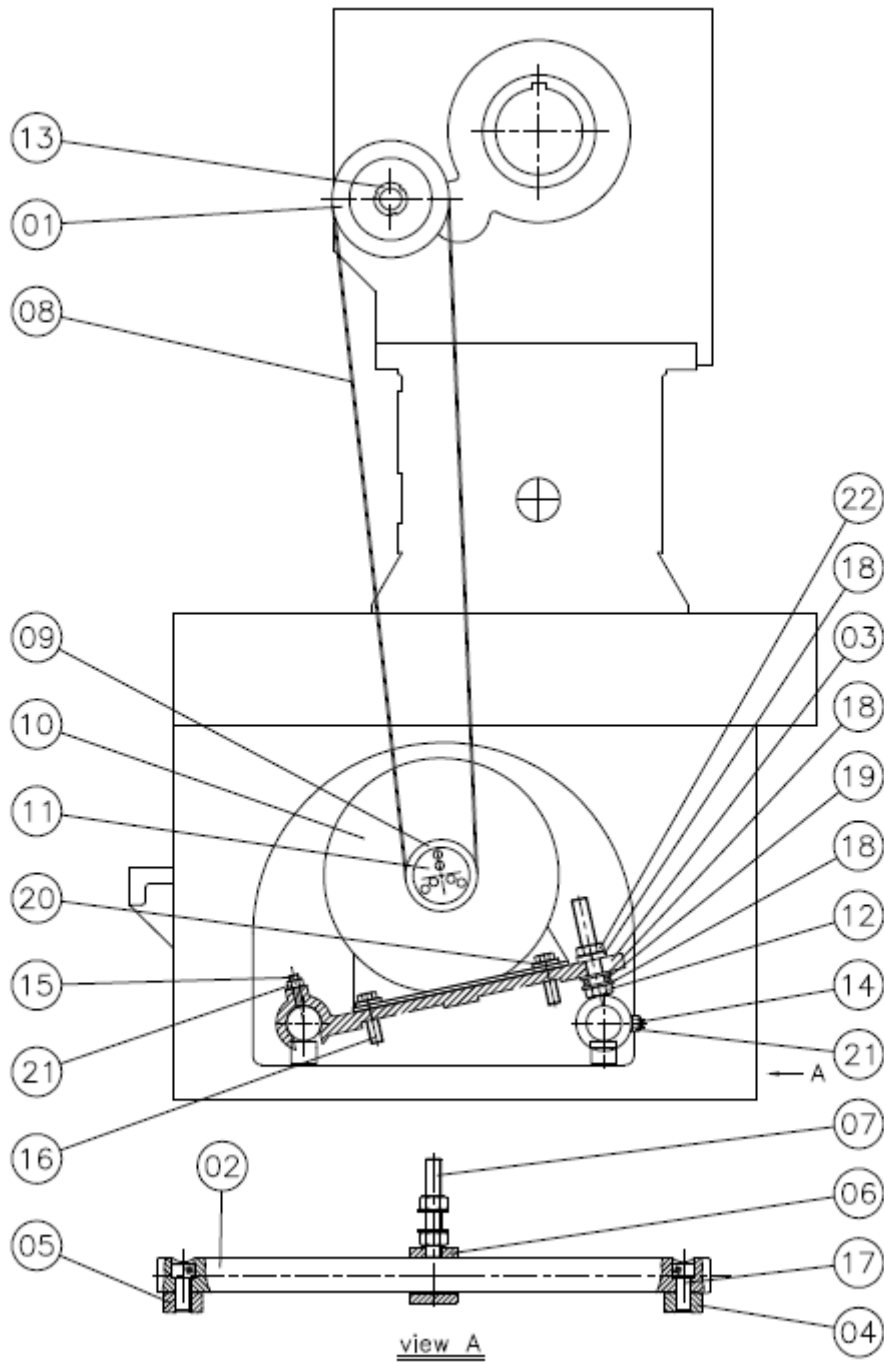
No.	Part Number	Description	Specification	XYZ Part No
1	KR020010	OIL PUMP		3879
2	KR020020	OIL FILTER		830
3	KR020030	PRESSURE GAGE		9
4	KR020040	OIL FILTER BRACKET		POA
5	KR020050	COOLING FAN		7913
6	KR020060	OIL PIPE	8 ς	POA
7	KR020070	OIL PIPE	17 ς	POA
8	KR020080	OIL PIPE	114 ς	POA
9	KR020090	OIL PIPE	124 ς	POA
10	KR020100	OIL PIPE		POA
11	KR020110	ELECTRO MAGNETIC VALVE		POA
12	KR020120	9 WAY ADAPTER		POA
13	KR020130	3 WAY ADAPTER		11238
14	KR020140	ADAPTER		POA
15	KR020150	ELBOW		POA
16	KR020160	ELBOW	1/2PTx3/8H 90	POA
17	KR020170	ELBOW	1/2PTx1/2H 90	POA
18	KR020180	ELBOW	1/4PTx3/8H 90	POA
19	KR020190	ELBOW	3/4PTx3/8H 90	POA
20	KR020200	ELBOW	3/4PTx1/2H 90	POA
21	KR020210	ADAPTOR	3/8PTx3/8PT	POA
22	KR020220	ELBOW	3/8PTx3/8H 45	POA
23	KR020230	ELBOW	3/8PTx3/8H 90	POA
24	KR020240	SWITCH-OIL DRAINAGE		POA
25	KR020250	TUBING SLEEVE		POA
26	KR020260	DRAINAGE PLUG	3/8PT	POA
27	KR540310	HEXAGON SOCKET CAP HEAD SCREW	M6x16	POA
28	KR540320	HEXAGON SOCKET CAP HEAD SCREW	M6x20	POA
29	KR540430	HEXAGON SOCKET CAP HEAD SCREW	M8x25	POA
30				
31				
32				
33				
34				
35				



Bed Assembly

Bed Assembly

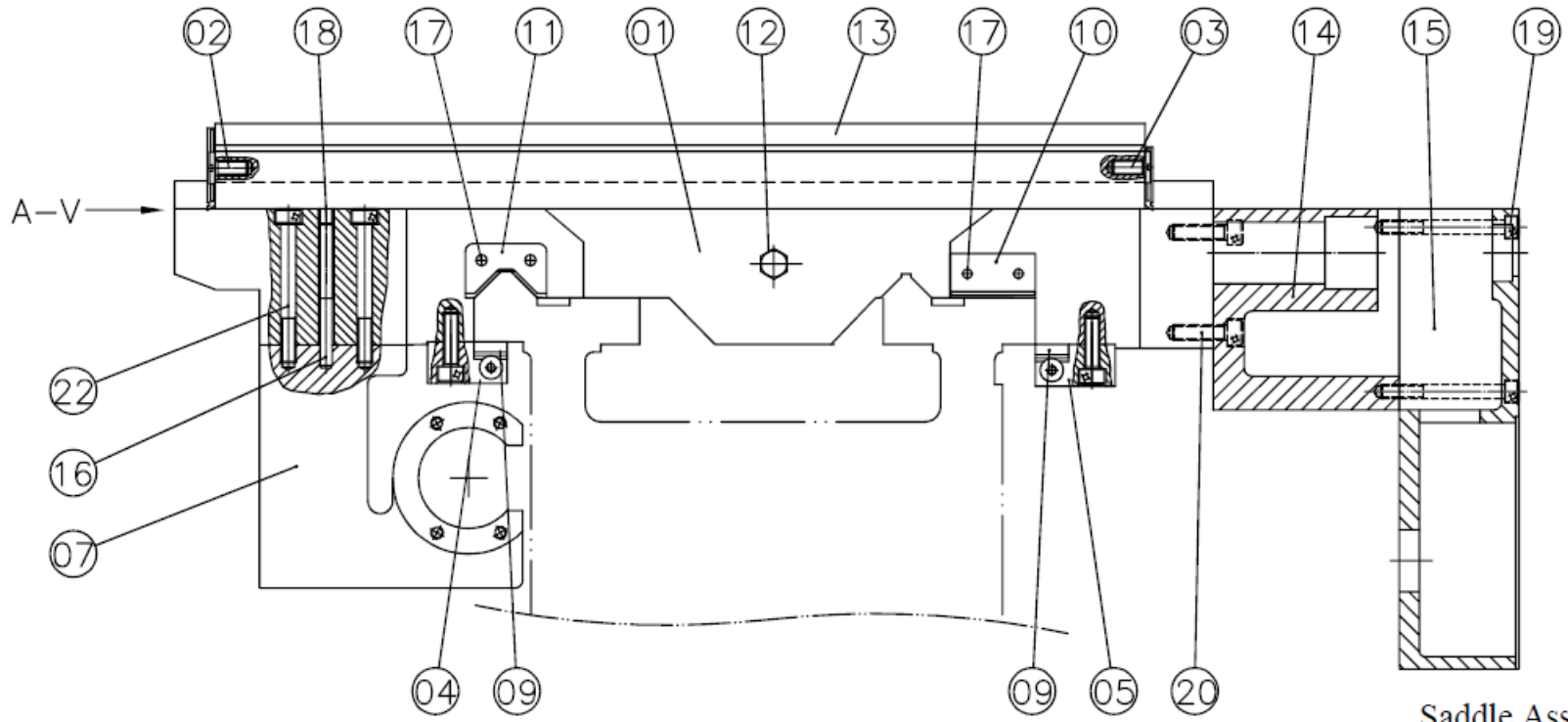
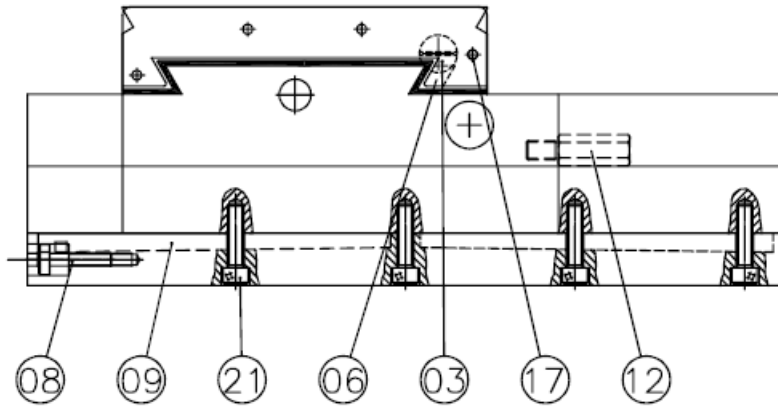
No.	Part Number	Description	Specification	XYZ Part No
1	KR040010	BASE		POA
2	KR040020	SEAT		18356
3	KR040120	ADJUSTABLE SCREW		11853
4	KR040130	HEXAGON NUT		Incl with 11853
5	KR040140	BLOCK		11854
6		TAPER PIN	#7x45L	
7	KR540560	HEXAGON HEAD SCREW	M10x55	POA
8		HEXAGON HEAD SCREW	M16x45	POA
9	KR550130	SPRING WASHER	M10	POA
10				
11				
12				
13				
14				
15				
16				
17				
18				
19				
20				
21				
22				
23				
24				
25				
26				
27				
28				
29				
30				
31				
32				
33				
34				
35				
36				
37				
38				



Motor Drive Assembly

Spindle Motor Drive Assembly

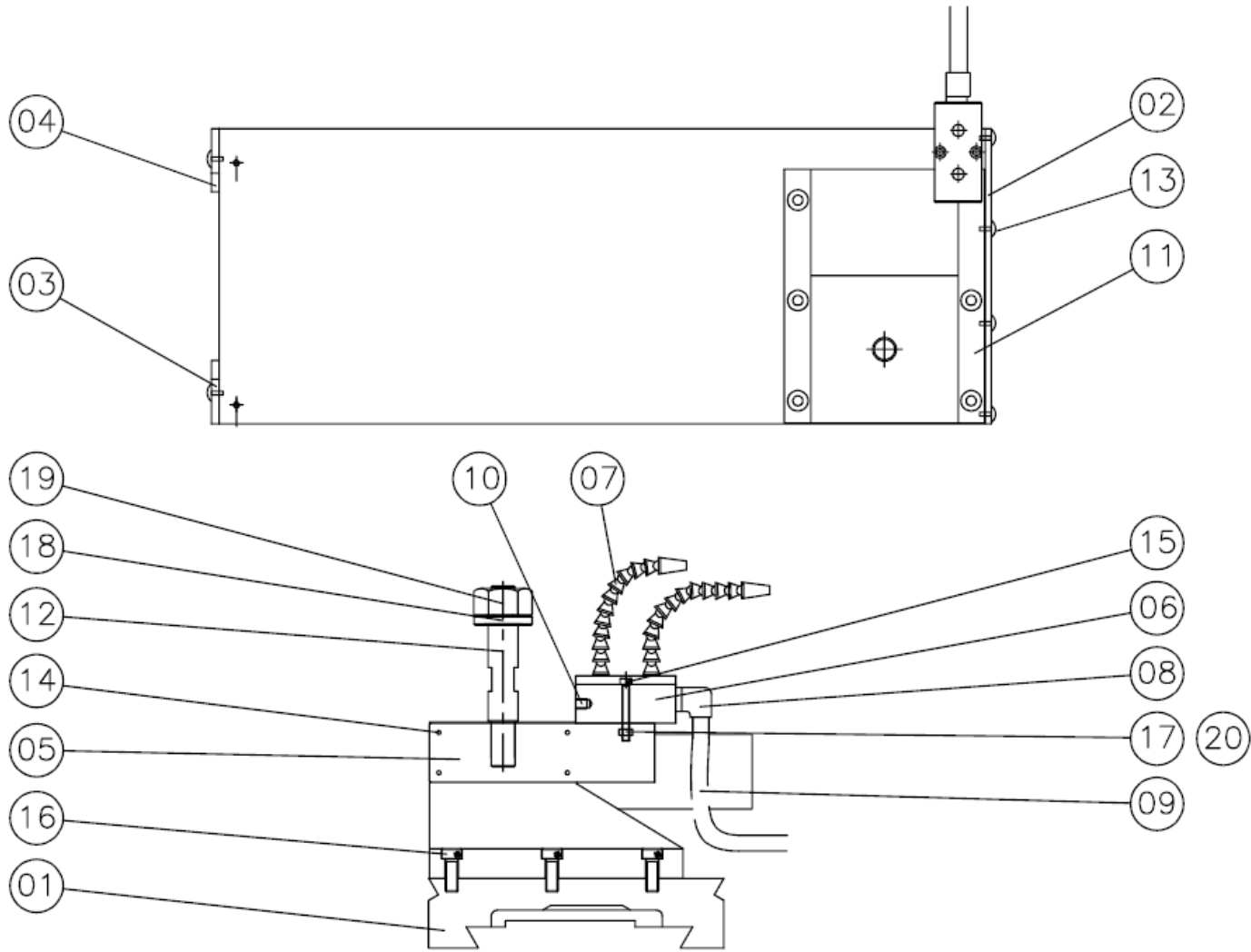
No.	Part Number	Description	Specification	XYZ Part No
1	LG010400	SPINDLE PULLEY		10642
2	KR040030	GUIDE BAR		POA
3	KR040040	MOTOR MOUNTING		POA
4	KR040050	SPACER		POA
5	KR040051	SPACER-MACHINING		POA
6	KR040060	PIVOT		POA
7	KR040070	ADJUSTABLE SCREW		POA
8	LG040080	BELT		POA
9	KR040090	MOTOR PULLEY		POA
10	LG040100	SPINDLE MOTOR	15HP	9563
11	KR040110	MOTOR PULLEY FIXED COVER		5647
12	KR040150	RUBBER	40x22x15L	POA
13		LOCKNUT	YSFM 28x1.5	POA
14	ASM408020	HEADLESS SCREW	M8x20	POA
15	ASM408030	HEADLESS SCREW	M8x30	POA
16	ASM512035	HEXAGON HEAD SCREW	M12x35	POA
17	ASM616055	HEXAGON SOCKET CAP HEAD SCREW	M16x55	POA
18	AWMT01020	BRIGHT WASHER	M20	POA
19	AWMH01020	HIGH BRIGHT WASHER	M20	POA
20	AWMS01012	SPRING WASHER	M12	POA
21	ANM112008	NUT	M8	POA
22	ANM125020	NUT	M20	POA
23				
24				
25				
26				
27				
28				
29				
30				
31				
32				
33				
34				
35				
36				
37				



Saddle Assembly

Saddle Assembly

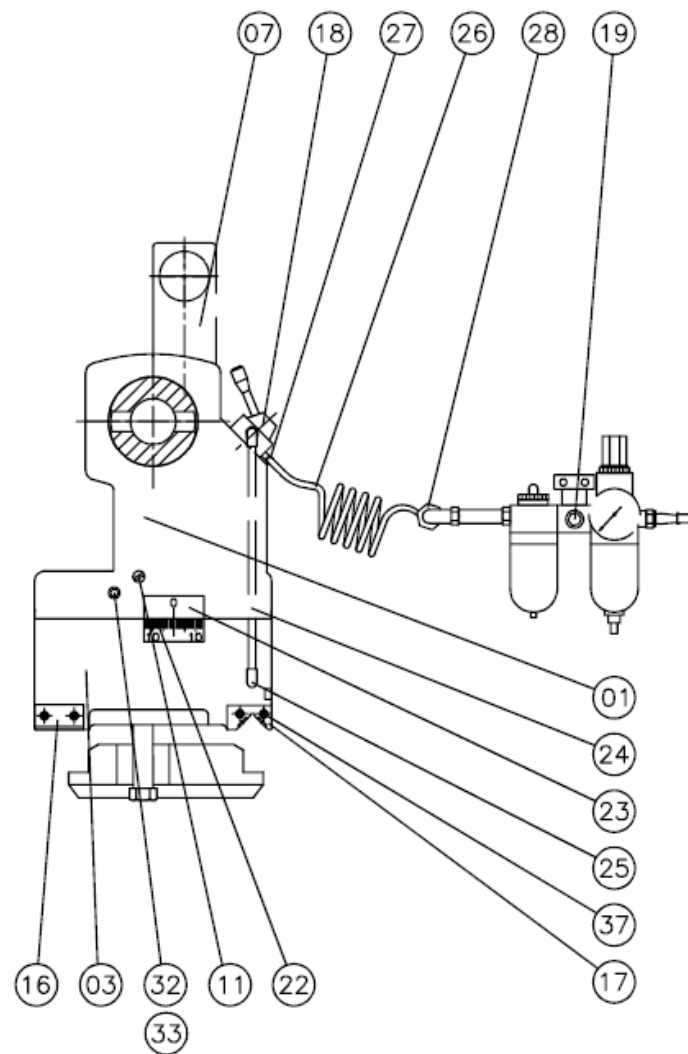
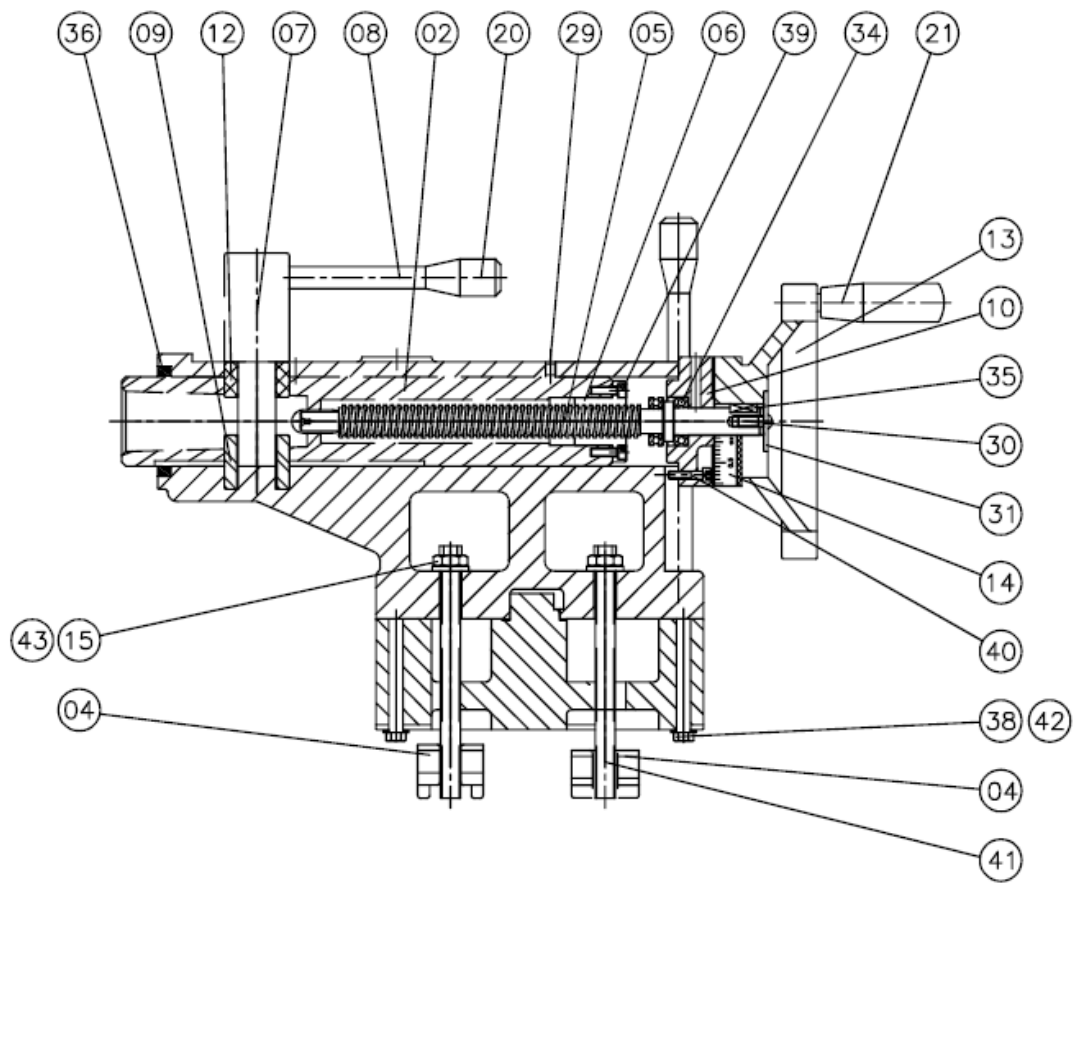
No.	Part Number	Description	Specification	XYZ Part No
1	LG050010	SADDLE		POA
2	KR050020	ADJUSTABLE SCREW	39mm	5057
3	KR050030	ADJUSTABLE SCREW	29mm	5059
4	LG050050	GIB RIGHT		POA
5	LG050060	GIB LEFT		POA
6	LG050070	GIB		13986
7	KR050081	APRON/BALL NUT BRACKET		POA
8	KR050090	ADJUSTABLE SCREW	63mm	POA
9	KR050110	GIB	Z AXIS	13141
10	KR050140	SADDLE FLAT WIPER		5077
11	KR050150	SADDLE VEE WIPER		5094
12	LG050160	BOLT		050160
13	LG060010	CROSS SLIDE		POA
14	KR110030	BRACKET		8299
15	KR110115	MOTOR BRACKET		POA
16	AKP207045	TAPER PIN	#7x45L	POA
17	ASM105010	BUTTON HEAD CAP SCREW	M5x10	POA
18	ASM416012	HEADLESS HEAD SCREW	M16x12	POA
19	ASM608080	HEX SOCKET CAP HEAD SCREW	M8x80	POA
20	ASM610030	HEX SOCKET CAP HEAD SCREW	M10x30	POA
21	ASM610035	HEX SOCKET CAP HEAD SCREW	M10x35	POA
22	ASM610095	HEX SOCKET CAP HEAD SCREW	M10x95	POA
23				
24				
25				
26				
27				
28				
29				
30				
31				
32				
33				
34				
35				
36				
37				
38				



Cross Slide Assembly

Cross Slide Assembly

No.	Part Number	Description	Specification	XYZ Part No
1	LG060010	CROSS SLIDE		POA
2	LG060020	CROSS SLIDE WIPER	230x50 mm	POA
3	KR060030	CROSS SLIDE WIPER		POA
4	KR060040	CROSS SLIDE WIPER		5267
5	LG060050	MOUNT PLANE		POA
6	KR060060	MOUNT BLOCK		12585
7	KR060070	FLEXIBLE COOLANT NOZZLE		2198
8	KR060080	ELBOW		POA
9	KR060090	OIL PIPE		4729
10	KR060100	PLUG		POA
11	LG060110	SLOTTED TOOLPOST BASE		POA
12	KR060120	BOLT		POA
13	KR540040	BUTTON HEAD CAP SCREW	M5x10	POA
14	KR540300	HEXAGON SOCKET CAP HEAD SCREW	M6x12	POA
15	KR540370	HEXAGON SOCKET CAP HEAD SCREW	M6x45	POA
16	KR540520	HEXAGON SOCKET CAP HEAD SCREW	M10x30	POA
17	KR550030	BRIGHT WASHER	M6	POA
18	KR550090	HIGH BRIGHT WASHER	M20	2197
19	KR560020	CHECK NUT	M20	POA
20	KR560040	NUT	M6	POA
21				
22				
23				
24				
25				
26				
27				
28				
29				
30				
31				



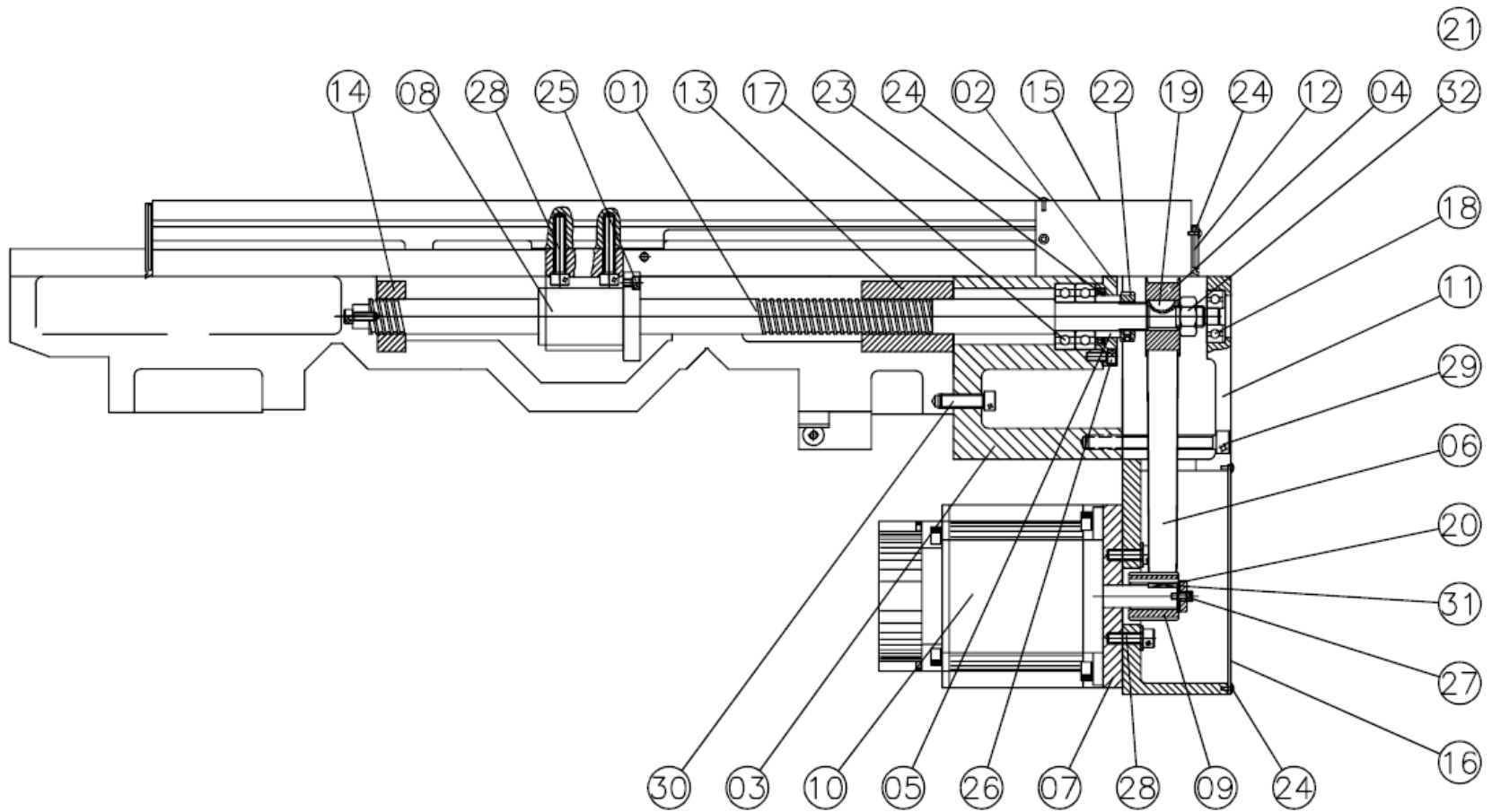
Tailstock Assembly

Tailstock Assembly

No.	Part Number	Description	Specification	XYZ Part No
1	KR090011	TAILSTOCK BODY		14513
2	KR090021	TAILSTOCK QUILL		10048
3	LG090030	TAILSTOCK BASE		14517
4	KR090051	CLAMP PLATE		POA
5	KR090061	LEADSCREW		POA
6	KR090071	LEADSCREW NUT		POA
7	KR090081	QUILL CLAMP SHAFT		POA
8	KR090111	HAND LEVER		POA
9	KR090141	QUILL CLAMP BLOCK		POA
10	KR090161	ROUND-INDEX RING		POA
11	KR090191	SET SCREW		POA
12	KR090211	QUILL CLAMP BLOCK		POA
13	KR090221	HANDWHEEL		POA
14	KR090231	INDEX RING		POA
15	LG090250	NUT		POA
16	KR090280	TAILSTOCK FLAT WIPER		5284
17	KR090290	TAILSTOCK VEE WIPER		5287
18	KR090301	AIR SWITCH		POA
19	KR090311	AIR FILTER		POA
20	KR090320	PLASTIC HANDLE		5294
21	KR090330	PLASTIC HANDLE		5384
22	KR090340	SET OVER-INDICATOR SCALE PLATE		POA
23	KR090351	SET OVER-INDICATOR PLATE		POA
24	KR090361	AIR PIPE		POA
25	KR090371	ELBOW		POA
26	KR090380	AIR PIPE		2196
	KR090381	AIR PIPE FOR KR-BL555		10217
27	KR090391	ELBOW		POA
28	KR090401	ADAPTOR		POA
29	KR090410	BALL		5420
30	KR090430	BUTTON HEAD CAP SCREW		6222
31	KR090440	WASHER		16667
32	KR090450	SET SCREW		POA
33	KR090460	SET CIRCULAR CYLINDER		POA
34	AB51104	BEARING	51104	4398
35	AK0606018	KEY	6x6x18mm	POA
36	AOR90110135	OIL RING	ø90xø110x13. 5mm	POA
37	ASM105010	BUTTON HEAD CAP SCREW	M5x10L	POA

Tailstock Assembly

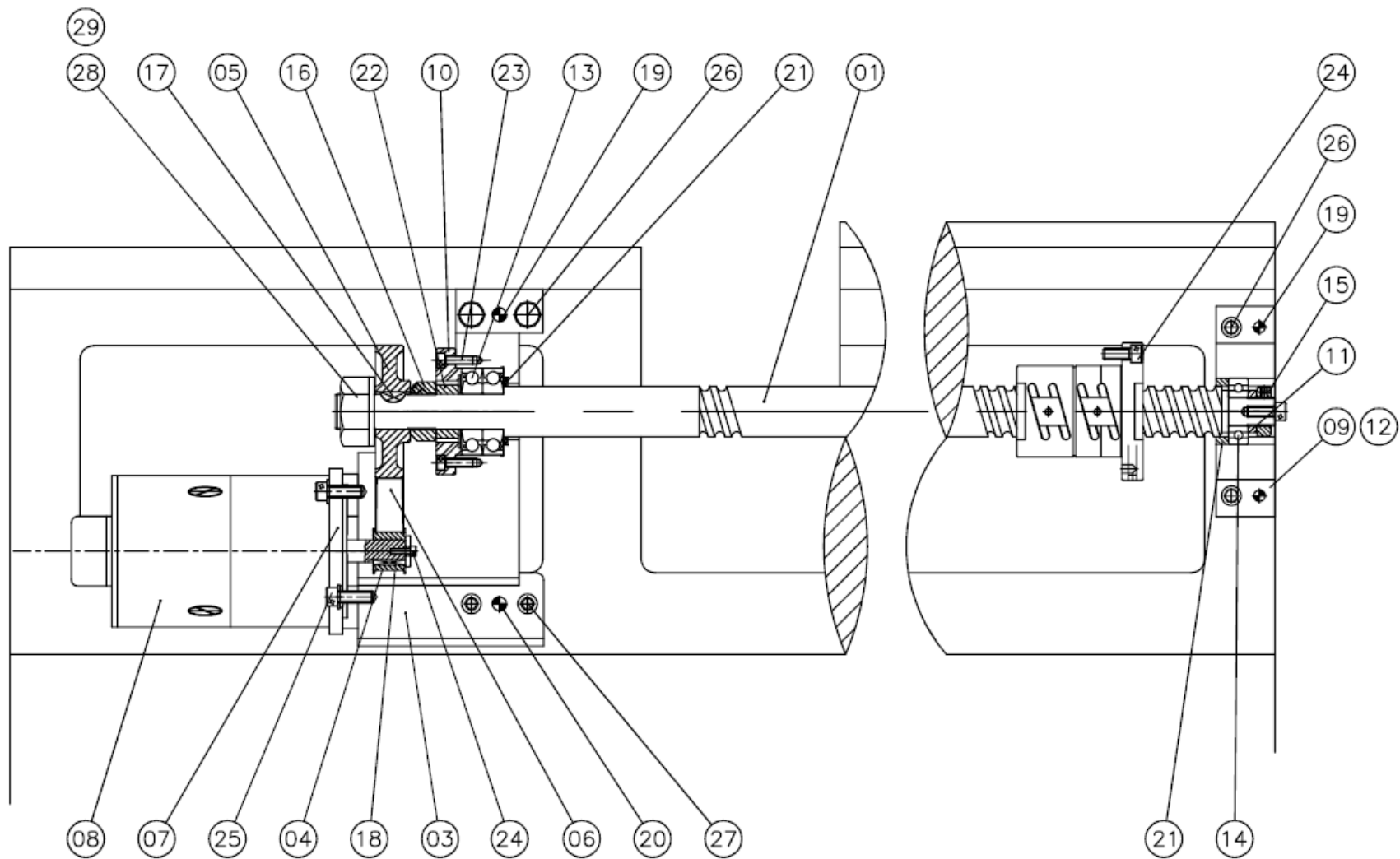
No.	Part Number	Description	Specification	XYZ Part No
38	ASM510060	HEXAGON HEAD SCREW	M10x60L	POA
39	ASM606020	HEXAGON SOCKET CAP HEAD SCREW	M6x20L	POA
40	ASM606025	HEXAGON SOCKET CAP HEAD SCREW	M6x25L	POA
41	ASM620230	HEXAGON SOCKET CAP HEAD SCREW	M20x230L	POA
42	AWMT01010	BRIGHT WASHER	M10	POA
43	AWMH01020	HIGH BRIGHT WASHER	M20	POA
44				
45				
46				
47				
48				
49				
50				
51				
52				
53				
54				
55				
56				
57				
58				
59				
60				
61				
62				
63				
64				
65				
66				
67				
68				
69				
70				
71				
72				
73				
74				
75				



X Axis Drive Assembly

X Axis Drive Assembly

No.	Part Number	Description	Specification	XYZ Part No
1	LG110010	BALL SCREW	X AXIS	10606
2	KR110020	BEARING COVER		11533
3	KR110030	BRACKET		8299
4		PULLEY	29136(SWI)	POA
5	KR110050	SPACER		POA
6		BELT	HTD-5M-535-15	778 (14530 Red)
7	KR110140	CROSS SLIDE WIPER	M8	POA
8	KR110080	APRON-BALL SCREW NUT		17029
9		MOTOR PULLEY	29430(SWI)	17173
10		X AXIS SERVO MOTOR		13639
11	KR110115	BRACKET-X AXIS MOTOR		POA
12	LG110071	MOTOR ADJUSTABLE PLATE		POA
13	LG110150	RUBBER	50x25x74L	POA
14	KR110160	RUBBER	50x25x20L	POA
15	KR400450	COVER-X AXIS		17034
16	KR400470	COVER PLATE-X AXIS BRACKET		POA
17	AB2047	BEARING	20TAC47B	5533
18	AB6301	BEARING	6301ZZ	5641
19		KEY	12.7x3.175	POA
20		KEY	29433-1(SWI)	POA
21	ANM115016	NUT	M16	POA
22	ANN510020	LOCKNUT (GROUND)	M20Ø1.0	POA
23	AOS304007	OIL RING	×30x×40x7 mm	POA
24	ASM105010	BUTTON HEAD CAP SCREW	M5x10	POA
25	ASM605014	HEXAGON SOCKET CAP HEAD SCREW	M5x14	POA
26	ASM606012	HEXAGON SOCKET CAP HEAD SCREW	M6x12	POA
27		HEXAGON SOCKET CAP HEAD SCREW	No8-32UNC	POA
28	ASM608030	HEXAGON SOCKET CAP HEAD SCREW	M8x30	POA
29	ASM608080	HEXAGON SOCKET CAP HEAD SCREW	M8x80	POA
30	ASM610030	HEXAGON SOCKET CAP HEAD SCREW	M10x30	POA
31		FERRULE	29431-1(SWI)	POA
32	ANM115016	NUT	M16	POA
33				
34				
35				
36				



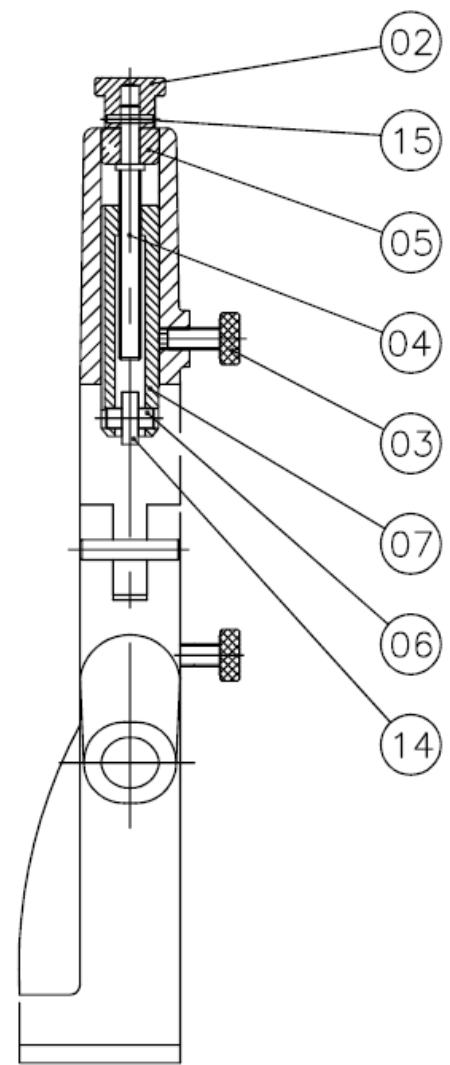
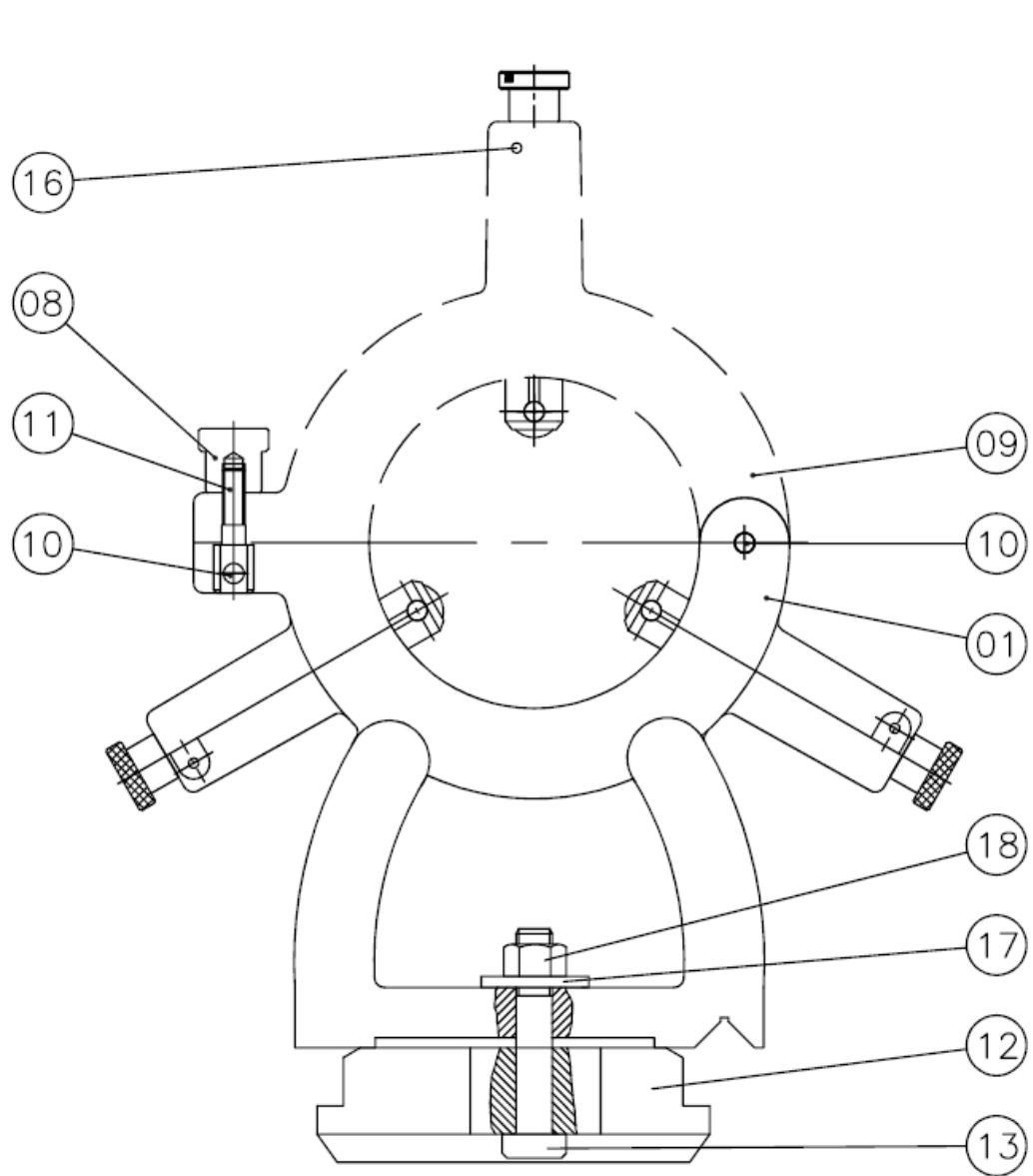
Z Axis Drive Assembly

Z Axis Drive Assembly

No.	Part Number	Description	Specification	XYZ Part No
1	KR130011	BALL SCREW	Z AXIS	5650
	KR130015	BALL SCREW FOR KR-BL555	Z AXIS	17576
2		FREERULE	16350(SWI)	105
3	KR130023	BRACKET		POA
4		MOTOR PULLEY	29435(SWI)	17408
5		PULLEY	29880(SWI)	17411
		PULLEY FOR KR-BL555	29882(SWI)	17422
6		BELT	HTD-5M-375-15	709
		BELT FOR KR-BL555	HTD-5M-435-15	16896
7	KR130079	MOTOR ADJUSTABLE PLATE		POA
	LG130070	MOTOR ADJUSTABLE PLATE FOR KR-BL555		POA
	LG130071	MOTOR ADJUSTABLE PLATE FOR KR-BL555		POA
8		Z AXIS SERVOMOTOR		17647
		Z AXIS SERVOMOTOR FOR KR-BL555		17661
9	LS130100	REAR BRACKET		POA
	KR130101	REAR BRACKET FOR KR-BL555		POA
10	KR130110	BEARING COVER		5652
11	KR130050	SPACER		POA
	KR130130	SPACER FOR KR-BL555		POA
12	KR130141	ADJUSTABLE PLATE		POA
13	KR500020	BEARING	25BS62DH	13405
	KR500021	BEARING FOR KR-BL555	30BS62DH	10975
14		BEARING	6204ZZ	13157
		BEARING FOR KR-BL555	6205ZZ	4455
15		LOCKNUT(GROUND)	MKR M20x1.0	POA
		LOCKNUT(GROUND) FOR KR-BL555	MKR M25x1.5	POA
16		LOCKNUT(GROUND)	M25x1.5	POA
		LOCKNUT(GROUND) FOR KR-BL555	M30x1.5	POA
17		KEY	12.7x3.175	POA
18		KEY	29433-2(SWI)	POA
19	KR520140	SPRING DOWEL	×6x50 mm	POA
20	KR520150	SPRING DOWEL	×6x60 mm	POA
21				
22				
23	KR540310	HEXAGON SOCKET CAP HEAD SCREW	M6x16	POA
24	KR540320	HEXAGON SOCKET CAP HEAD SCREW	M8x25	POA
25	KR540420	HEXAGON SOCKET CAP HEAD SCREW	M8x30	POA
26	KR540540	HEXAGON SOCKET CAP HEAD SCREW	M10x40	POA
27	KR540550	HEXAGON SOCKET CAP HEAD SCREW	M10x45	POA

Z Axis Drive Assembly

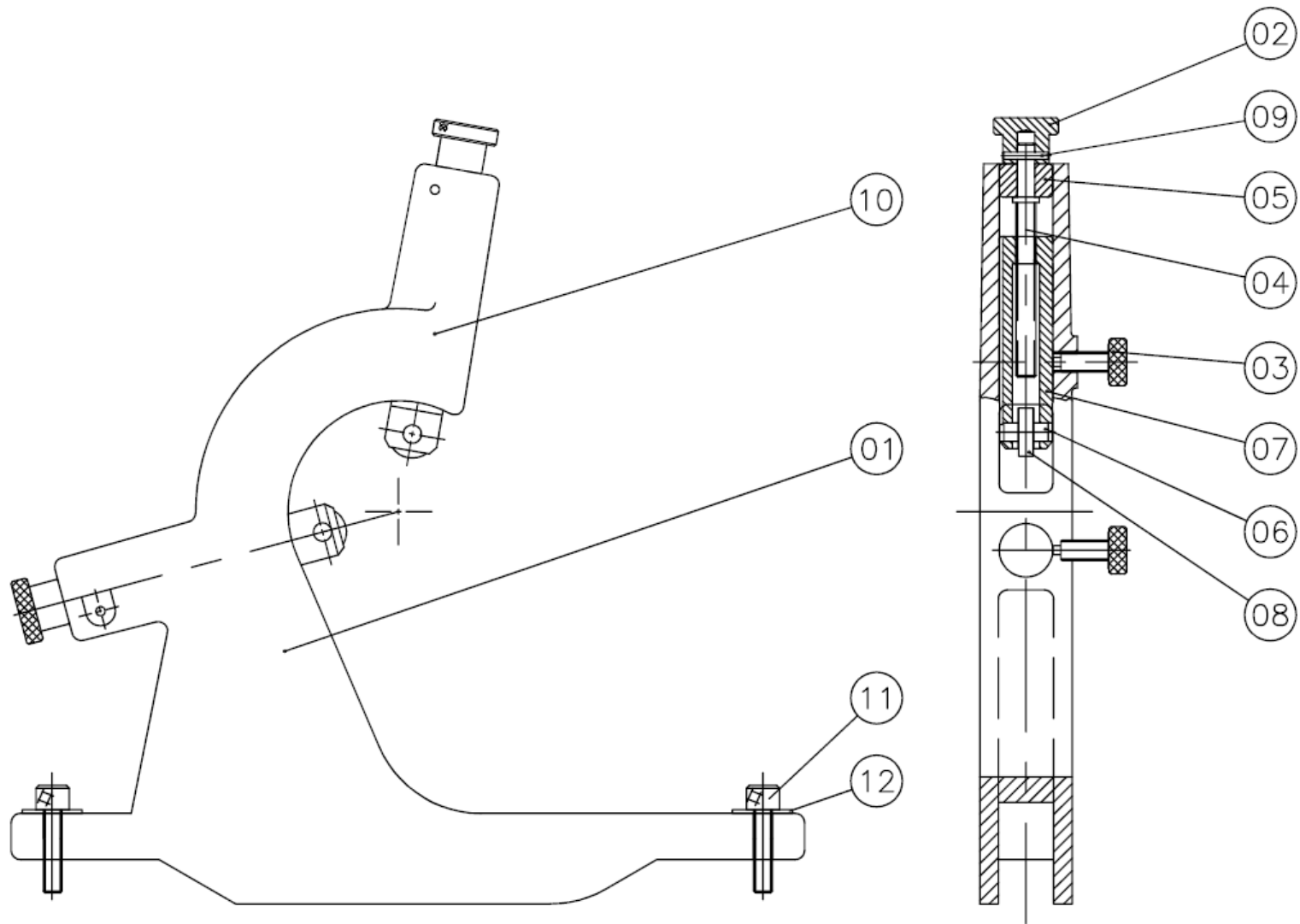
28		SPRING WASHER		
29	KR560080	NUT	M16	POA
30	AMMT01008	WASHER	M8	POA
31				
32				
33				
34				
35				
36				
37				
38				
39				
40				
41				
42				
43				
44				
45				
46				
47				
48				
49				
50				
51				
52				
53				
54				
55				
56				
57				
58				
59				
60				
61				
62				
63				
64				
65				
66				



Stationary Steady

Stationary Steady

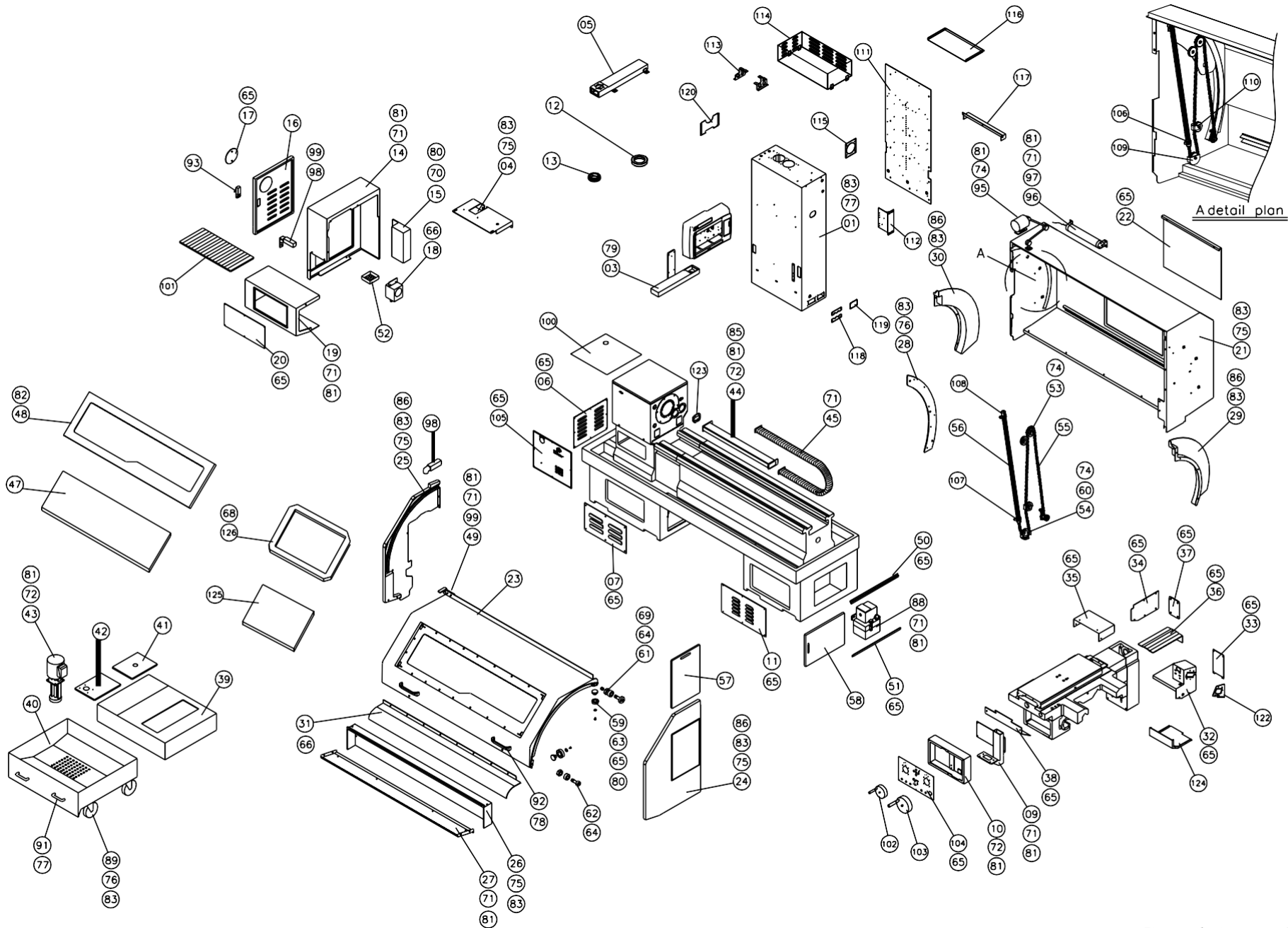
No.	Part Number	Description	Specification	XYZ Part No
1	LG220020	STATIONARY STEADY BASE		
2	LG220030	COLLAR		
3	LG220040	COLLAR-CLAMP SCREW		
4	LG220050	FINGER SCREW		
5	LG220060	RETAINING BUSH-FINGER		
6	LG220070	BEARING SHAFT		
7	LG220080	PAD TYPE FINGER		
8	LG220090	COLLAR-STEADY TOP CLAMP		
9	LG220100	STATIONARY STEADY TOP		
10	LG220110	PIVOT PIN		
11	LG220120	FIXED BOLT		
12	KR090050	BASE CLAMP PLATE		17778
13	KR090170	BOLT		2195
14	AB6000	BEARING	6000ZZ	5661
15	AKP104025	SPRING DOWEL	×4x25 mm	POA
16	AKP105045	SPRING DOWEL	×5x45 mm	POA
17	AWMH01020	HIGHT BRIGHT WASHER	M20	POA
18	ANM110020	NUT	M20	POA
19				
20				
21				
22				
23				
24				
25				
26				
27				
28				
29				
30				
31				
32				
33				



Travelling Steady

Travelling Steady

No.	Part Number	Description	Specification	XYZ Part No
1	LG230010	TRAVELLING STEADY BASE		8455
2	LG220030	COLLAR		POA
3	LG220040	COLLAR-CLAMP SCREW		POA
4	LG220050	FINGER SCREW		POA
5	LG220060	RETAINING BUSH-FINGER		POA
6	LG220070	BEARING SHAFT		POA
7	LG220080	PAD TYPE FINGER		POA
8	AB6000	BEARING	6000ZZ	5661
9	AKP104025	SPRING DOWEL	×4x25 mm	POA
10	AKP105045	SPRING DOWEL	×5x45 mm	POA
11	ASM610045	HEXAGON SOCKET CAP HEAD SCREW	M10x45	POA
12	AWMT01010	BRIGHT WASHER	M10	POA
13				
14				
15				
16				
17				
18				
19				
20				
21				
22				
23				
24				
25				
26				
27				
28				
29				
30				
31				
32				
33				
34				
35				
36				
37				
38				



H15-1

Guard Assembly

Guard Assembly

No.	Part Number	Description	Specification	XYZ Part No
1		ELECTRICAL CABINET	29104-13(SWI)	POA
2				
3	LS400031	BRACKET ARM		POA
4	LG400040	COVER-HEAD END REAR		POA
5	LG400054	BRACKET ARM		POA
6	KR400060	COVER-SPINDLE MOTOR		POA
7	KR400074	COVER-HEAD END FRONT		POA
	KR400072	COVER-HEAD END FRONT FOR KR-BL555		POA
8				
9	LG400090	BRACKET ARM-MPG CONTROL		14631
10	KR400100	BOX-MPG CONTROL		POA
11	KR400123	COVER-TAIL END FRONT		14536
	KR400121	COVER-TAIL END FRONT FOR KR-BL555		POA
12	LW400170	SLEEVE-SWIVEL TABLE		POA
13	LW400180	CONTROL BOX SWIVEL TABLE		POA
14	LG400210	COVER-HEAD END		POA
15	LG400220	COVER-HEAD END INSIDE		16048
16	LG400230	DOOR-HEAD END		POA
17	KR400240	DOOR COVER		POA
18	LG400250	COOLANT COLLECTOR		POA
19	LG400260	COVER-HEAD END FRONT		POA
20	LG400270	COVER PLATE-HEAD END FRONT		POA
21	LG400280	CUARD-REAR		POA
	LG400281	CUARD-REAR FOR KR-BL555		POA
22	LN410370	COVER PLATE-REAR		POA
23	LG400300	GUARD-FRONT DOOR		POA
	LG400301	GUARD-FRONT DOOR FOR KR-BL555		POA
24	LG400310	GUARD-RIGHT		POA
25	LG400320	GUARD-LEFT		POA
26	LG400330	GUARD-FRONT		POA
	LG400331	GUARD-FRONT FOR KR-BL555		POA
27	LG400340	GUARD-FRONT TRAY		POA
	LG400341	GUARD-FRONT TRAY FOR KR-BL555		POA
28	LG400350	FIXED PLATE		POA
29	LG400360	COVER-RIGHT TRACK		POA
30	LG400370	COVER-LEFT TRACK		POA
31	LG400410	COVER-Z AXIS BALL SCREW		POA
	LG400411	COVER-Z AXIS BALL SCREW FOR KR-BL555		POA
32	LG400421	COVER-X AXIS MOTOR		POA

Guard Assembly

No.	Part Number	Description	Specification	XYZ Part No
33	LG400430	COVER PLATE-X AXIS MOTOR		POA
34	LG400440	COVER PLATE-X AXIS MOTOR		POA
35	LG400450	COVER-X AXIS		POA
36	LG400460	COVER-X AXIS BRACKET		POA
37	KR400470	COVER PLATE-X AXIS BRACKET		POA
38	LG400480	COVER-SADDLE		POA
39	LG400490	COOLANT TANK		POA
40	LG400500	SWARF BIN		POA
41	LG400510	COVER-COOLANT TANK		POA
42	LG400520	FIXED COVER-COOLANT PUMP		POA
43	KR400530	COOLANT PUMP		1825
44	KR400540	SQUARE PROTECTION TUBE		9595
45	KR400550	FLEXIBLE CABLE CARRIER		8662
	KR400551	FLEXIBLE CABLE CARRIER FOR KR-BL555		8663
46				
47	KR400578	TEMPERED GLASS	15032	15032
48	LG400580	VISION FRAME		POA
49	LG400610	LIMIT SWITCH BASE		POA
50	KR400620	FIXED PLATE-LUBRICATION COVER		POA
51	KR400630	FIXED PLATE-LUBRICATION COVER		POA
52	LG400640	SWARF BIN		13376
53	KR400662	DOOR ROLLER	∅ 50mm	5106
54	KR400661	DOOR ROLLER	∅ 60mm	5438
55	LG400680	CHAIN	1505mm	9963
56	LG430560	SPRING		10114
	LG430563	SPRING FOR KR-BL555		10115
57	KR400710	ACRYLIC PLATE-TAIL END	330x470mm	7766
58	KR400720	ACRYLIC PLATE-LUBRICATION	340x390mm	16711
59	KR400730	SLEEVE		5666
60	KR400740	SLEEVE		9827
61	KR400750	FIXED NUT		5667
62	KR400760	SPACER		9828
63	KR500030	BEARING	6000ZZ	5661
64	KR500120	BEARING	CF10-1	5668
65	KR540030	BUTTON HEAD CAP SCREW	M5x8	POA
66	KR540050	BUTTON HEAD CAP SCREW	M6x8	POA
67	KR540060	BUTTON HEAD CAP SCREW	M6x12	POA
68	KR540070	BUTTON HEAD CAP SCREW	M6x25	POA

Guard Assembly

No.	Part Number	Description	Specification	XYZ Part No
69	KR540160	HEADLESS SCREW	M10x10	POA
70	KR540230	HEXAGON SOCKET CAP HEAD SCREW	M5x10	POA
71	KR540300	HEXAGON SOCKET CAP HEAD SCREW	M6x12	POA
72	KR540310	HEXAGON SOCKET CAP HEAD SCREW	M6x16	POA
73				
74	KR540360	HEXAGON SOCKET CAP HEAD SCREW	M6x40	POA
75	KR540400	HEXAGON SOCKET CAP HEAD SCREW	M8x12	POA
76	KR540410	HEXAGON SOCKET CAP HEAD SCREW	M8x16	POA
77	KR540430	HEXAGON SOCKET CAP HEAD SCREW	M8x25	POA
78	KR540470	HEXAGON SOCKET CAP HEAD SCREW	M8x45	POA
79	KR540530	HEXAGON SOCKET CAP HEAD SCREW	M10x35	POA
80	KR550020	BRIGHT WASHER	M5	POA
81	KR550030	BRIGHT WASHER	M6	POA
82	KR550040	BRIGHT WASHER	M10	POA
83	KR550080	HIGH BRIGHT WASHER	M8	POA
84	KR560030	NUT	M5	POA
85	KR560040	NUT	M6	POA
86	KR560050	NUT	M8	POA
87	KR560060	NUT	M10	POA
88	KR570010	LUBRICATION PUMP		
89	KR570020	WHEEL		
90				
91	KR570040	HANDLE	200mm	15121
92	KR570050	HANDLE	390mm	7549
93				
94				
95	KR570080	WORKING LIGHT	24V/70W	15823
96	KR570090	LIGHT	120V/36W	16160
97	KR570091	BALLAST RESISTER-LIGHT		
98	KR570110	LIMIT SWITCH	XCK-P102	5670
99	KR570120	KEY LIMIT SWITCH	XCS-Z14	5671
100	LG570130	RUBBER PAD		POA
101	LG570140	RUBBER PAD-STRIPED	3x673x415mm	POA
102	KR570210	X AXIS ELECTRONIC HAND WHEEL		464
103	KR570220	Z AXIS ELECTRONIC HAND WHEEL		6254
104	KRPE0031	PANEL		16980
105	LGPE0040	PANEL		13315

Guard Assembly

No.	Part Number	Description	Specification	XYZ Part No
106	KR400690	LASHING RING		POA
107	LG430533	SCREW		POA
	LG430534	SCREW FOR KR-BL555		POA
108	LG430543	SCREW		POA
	LG430544	SCREW FOR KR-BL555		POA
109	LG410100	CHAIN FIXED PLATE		10116
110	LG410110	FIXED PLATE		POA
111		BASE PLATE	29105-13(SWI)	POA
112		POWER SWITCH BASE	29013-5(SWI)	POA
113		BRACKET	24067-12(SWI)	POA
114		BOX	29020-17(SWI)	POA
115		COVER	29104-6-3(SWI)	POA
116		COVER	29104-12-1(SWI)	POA
117		COVER	29104-12-2(SWI)	POA
118		COVER	28157-25(SWI)	POA
119		COVER	28157-28(SWI)	POA
120		COVER	29095-1(SWI)	POA
121				
122	LG400421-A	COVER		POA
123	KR400540-A	COVER		9595
124	LG410240	COVER		POA
125	KR400579	TEMPERED GLASS FOR KR-BL555		1068
126	LG400581	VISION FRAME FOR KR-BL555		POA
127				
128				
129				
130				
131				
132				
133				
134				
135				
136				
137				
138				
139				
140				
141				
142				

XYZ

This page is intentionally left blank.

Machine Tools

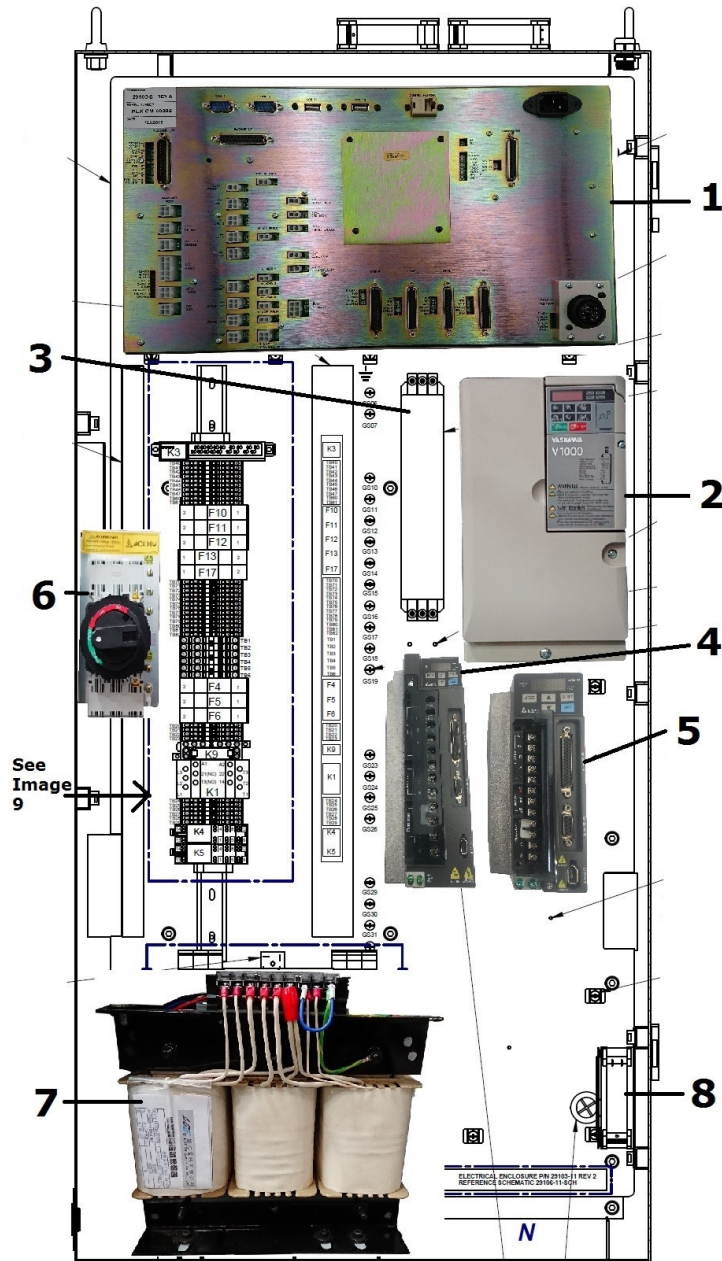
RLX 555

Parts Guide



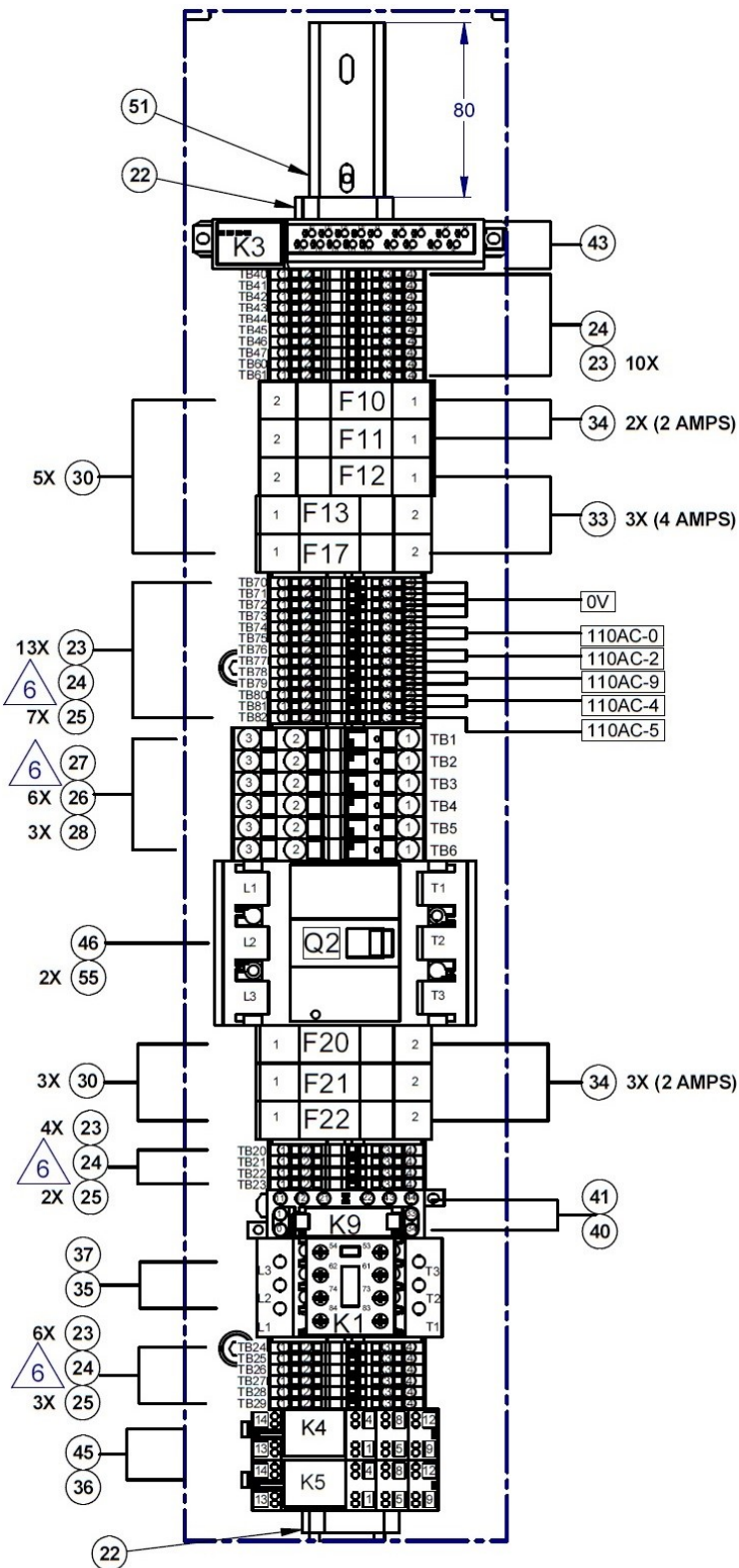
<u>Category</u>	<u>Page Number</u>
Electrical Cabinet	2-3
Motor's, Cable's & Drives	4-5
Switches & Buttons	5-6
Pumps	6
Handwheel & Jog Stick	6-7
Pendant & module	7
Other Electrical Parts	7-8
Pneumatic & Coolant	9
Main Door & Windows	9-10
Belt's	10
Drag Chain & Wipers	11
Chucks	11
Steady Options	12
Tool post & holder	12
Drilling Attachment	13

Electrical Cabinet Layout












Item	Description	XYZ Part Number
1	Computer module	17404
2	Inverter	8427
3	Filter	11152
4	Delta Drive X Axis	17611 RLX 555 1m 17612 RLX 555 1.75m
5	Delta Drive Z Axis	17612 RLX 555 1m 17622 RLX 555 1.75
6	Isolator Door Switch	15833
7	Transformer	17231
8	Door Fan	14128
9	Cabinet Connector	2 See Image 9

Image 9




<u>Item Number</u>	<u>Description</u>	<u>XYZ Part Number</u>
22	Terminal Block End Cap	10376
23	Terminal Block Din Rail 20A	15168
24	Terminal Block Cover 20A	15167
25	Terminal Block Jumper 20A	15166
26	Terminal Block Din Rail 3 Pos 55A	17700
27	Terminal Block End Cover	17705
28	Terminal Block Jumper 41A	17260
30	Fuse Holder 32A	3750
32	Fuse 10 x 38mm 16 Amp	3147
33	Fuse 10 x 38mm 4 Amp	6622
34	Fuse 10 x 38mm 2 Amp	6616
35	Contactory Relay 24v DC 25A	18481
36	Relay Socket 2 Pole Push Fit	16271
37	Contactory 3NO/1NC	11028
40	Omron Safety Relay 24VDC 6A	13767
41	Omron Socket Din Rail 4 Pole	13768
43	Omron Safety Relay 401 24V DC	15052
45	Omron Relay 2P 24VDC	16270
46	Breaker 32A	11665
51	Din Rail 800mm	1655
55	Cover-Breaker	17685

Motor's, Cable's & Drives

<u>Description</u>	<u>XYZ Part Number</u>	
X Axis Motor	13639	
Z Axis Motor	1m—17647 1.75m—17661	 
X Axis Drive	1m—17611 1.75m—17612	
Z Axis Drive	1m—17621 1.75—17622	
X Axis Motor Encoder Cable	17417	
X Axis Motor Power Cable	17416	
Z Axis Motor Encoder Cable	17186	
Z Axis Motor Power Cable	17418	



Motor's, Cable's & Drives

<u>Description</u>	<u>XYZ Part Number</u>	<u>Image</u>
Main Spindle Motor	9563	



Switches & Buttons

<u>Description</u>	<u>XYZ Part Number</u>	<u>Image</u>
E-Stop Button	3132	
Main Door / Belt Inspection Door Switch	3219	
Chuck Guard Switch	3351	
Limit Switch Fits Both X Or Z	16402	
Apron Cycle Start Button	15008	



Switches & Buttons

<u>Description</u>	<u>XYZ Part Number</u>	
Door Isolator Switch	14685	
Gear Selector Sensor Switches	7923	


Pump's

<u>Description</u>	<u>XYZ Part Number</u>	
Coolant Pump 110V 6" Pick Up	1825	
AutoLube Pump 110V YET-F1	10637	


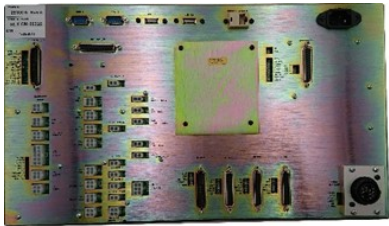
Handwheel's & Jog Stick

<u>Description</u>	<u>XYZ Part Number</u>	
Safety Jog Stick	15012	
X Axis Handwheel	465	



Handwheel's & Jog Stick

<u>Description</u>	<u>XYZ Part Number</u>	<u>Image</u>
Z Axis Handwheel	6932	

Pendant & Module

<u>Description</u>	<u>XYZ Part Number</u>	<u>Image</u>
RLX Pendant	17394	
Computer Module	17404	






Other Electrical Parts

<u>Description</u>	<u>XYZ Part Number</u>	<u>Image</u>
Inverter 11KW	18758	
Main Transformer	17231	


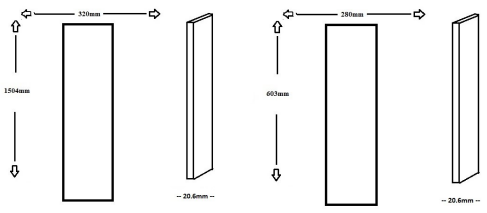

Other Electrical Parts

<u>Description</u>	<u>XYZ Part Number</u>	<u>Image</u>
Brake Resistor	5967	
Spindle Encoder	17253	
Work Lamp 24V	17367	
Work Light	15823	
Spindle Motor Fan	6439	
Electronic Handwheel & Apron Jog Stick Cable	460	



Pneumatic & Coolant

<u>Description</u>	<u>XYZ Part Number</u>	<u>Image</u>
Air Regulator Unit	4915	
Tailstock Assembly Air Pipe	2196	
Coolant Nozzle Assembly	12585	
Armoured Coolant Pipe 180" & 220"	1m—4729 1.75—8652	 





Main Door & Window's

<u>Description</u>	<u>XYZ Part Number</u>	<u>Image</u>
Door Spring	1m—10114 1.75—10115	
Main Windows	1m & 1.75—15032 1.75 (Right) —15033	
Window Silicon	11661	



Main Door & Windows

<u>Description</u>	<u>XYZ Part Number</u>	
Perspex Panel Tailstock End 470 x 332mm	14539	
Perspex Panel Auto Lube Pump	16711	

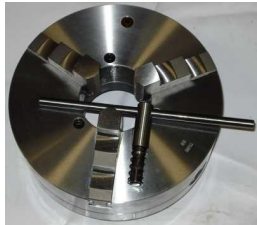

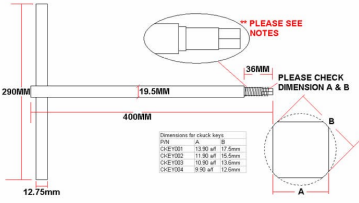
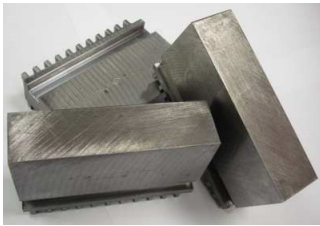
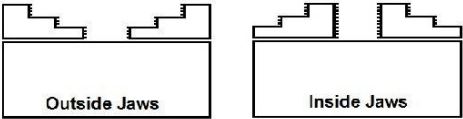
Belt's

<u>Description</u>	<u>XYZ Part Number</u>	
X Axis Belt	778	
Z Axis Belt	1m—17116 1.75m—17421	
Spindle Encoder Belt	10353	
Spindle Belt Set	10368 or v9493	



Drag chain & Wipers

<u>Description</u>	<u>XYZ Part Number</u>	
Z Axis Chain	1m—17543 1.75—17545	
Wiper Kit	10755	






Chuck's

<u>Description</u>	<u>XYZ Part Number</u>											
Standard 315mm Scroll 3 Jaw Chuck Supplied With The Machine	2682											
315mm chuck guard	10645											
Chuck key	4462	 <p>PLEASE SEE NOTES</p> <p>PLEASE CHECK DIMENSION A & B</p> <table border="1"> <thead> <tr> <th>Dimensions for Chuck Key</th> <th></th> </tr> </thead> <tbody> <tr> <td>CH-E01</td> <td>3.95 at 15.5mm</td> </tr> <tr> <td>CH-E02</td> <td>11.90 at 15.5mm</td> </tr> <tr> <td>CH-E03</td> <td>10.90 at 15.5mm</td> </tr> <tr> <td>CH-E04</td> <td>9.90 at 15.5mm</td> </tr> </tbody> </table>	Dimensions for Chuck Key		CH-E01	3.95 at 15.5mm	CH-E02	11.90 at 15.5mm	CH-E03	10.90 at 15.5mm	CH-E04	9.90 at 15.5mm
Dimensions for Chuck Key												
CH-E01	3.95 at 15.5mm											
CH-E02	11.90 at 15.5mm											
CH-E03	10.90 at 15.5mm											
CH-E04	9.90 at 15.5mm											
Soft jaws to suit 315mm chuck	2698											
Hard inside & outside jaws to suit 315mm chuck (set of three)	Inside—10978 Outside—9490	<p>Jaw type</p>  <p>Outside Jaws</p> <p>Inside Jaws</p>										

Steady Options

<u>Description</u>	<u>XYZ Part Number</u>	
Fixed Steady 35mm-160mm Or	8453 Or	
Fixed Steady 160mm-245mm	8454	
Travelling Steady 15-85mm	8455	

Tool Post & Holders

<u>Description</u>	<u>XYZ Part Number</u>	
T3 Quick Change Tool Post Set	4928	
T3 Standard Holder	4930	
T3 Vee Holder	3870	
T3 Morse Holder	4940	
T3 Plain Bore 40mm Holder	3870	

Drilling Attachment's

<u>Description</u>	<u>XYZ Part Number</u>	
Drilling Attachment 40mm Bore	10482	